

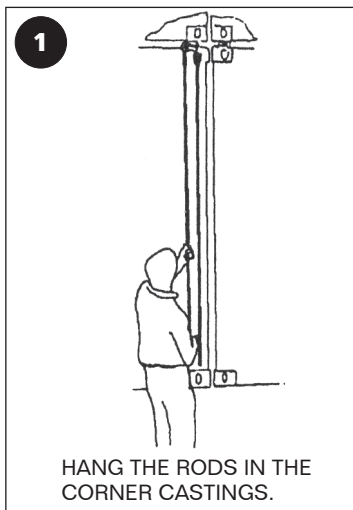


EQUALASH = TWO RODS ON ONE TURNBUCKLE.

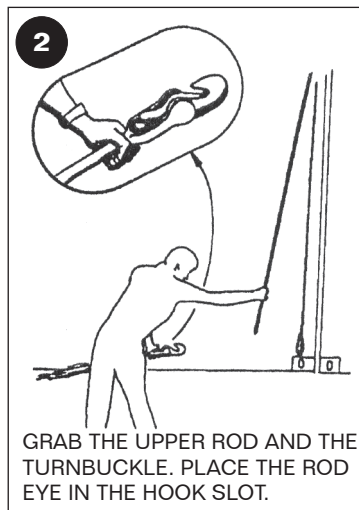
LASHING SHOWN IN STEPS 1 – 5.

UNLASHING IS REVERSE, STEPS 5 – 1.

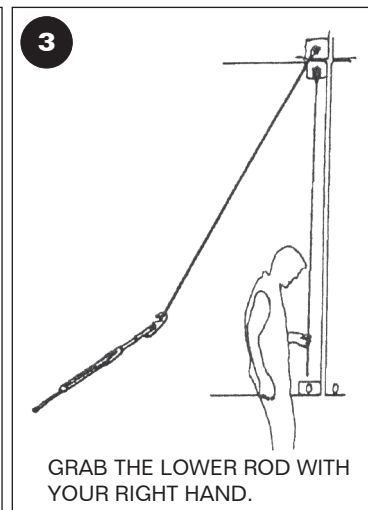
INTENDED FOR TWO PARALLEL RODS, BUT
SINGLE ROD IS ALSO OKAY – USE STEPS 3 – 5.



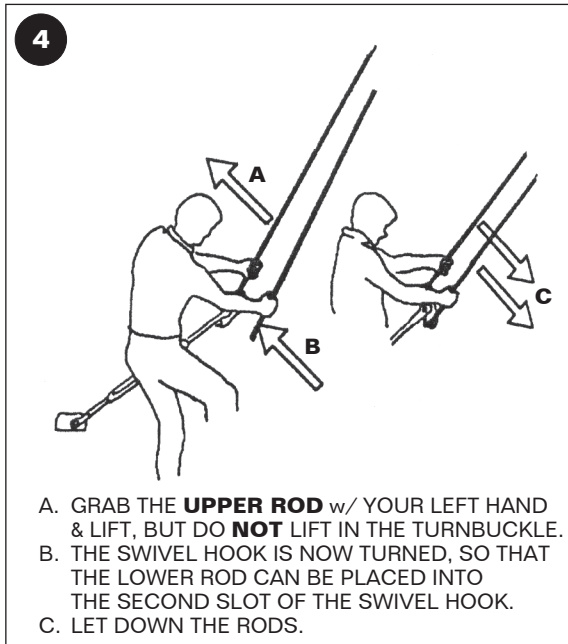
1
HANG THE RODS IN THE
CORNER CASTINGS.



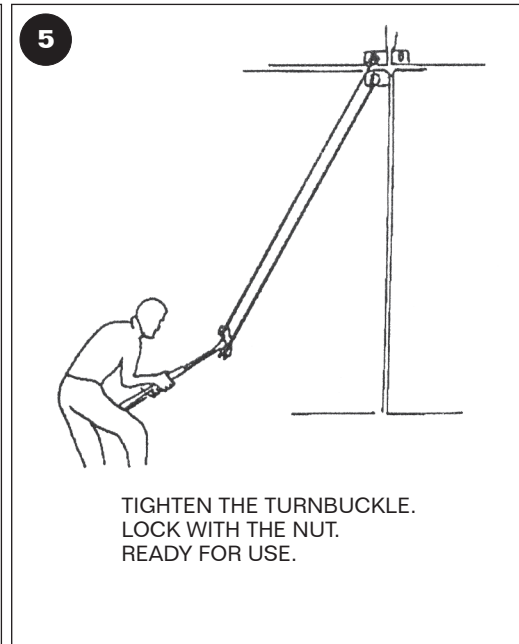
2
GRAB THE UPPER ROD AND THE
TURNBUCKLE. PLACE THE ROD
EYE IN THE HOOK SLOT.



3
GRAB THE LOWER ROD WITH
YOUR RIGHT HAND.



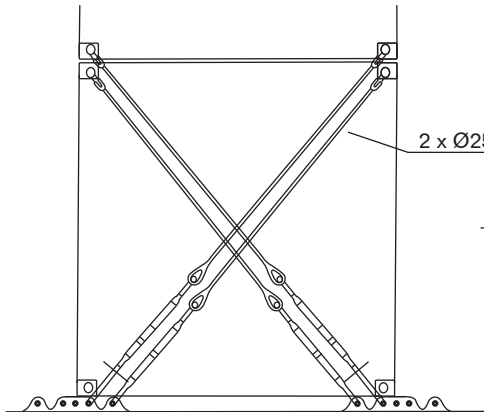
4
A. GRAB THE **UPPER ROD** w/ YOUR LEFT HAND
& LIFT, BUT DO **NOT** LIFT IN THE TURNBUCKLE.
B. THE SWIVEL HOOK IS NOW TURNED, SO THAT
THE LOWER ROD CAN BE PLACED INTO
THE SECOND SLOT OF THE SWIVEL HOOK.
C. LET DOWN THE RODS.



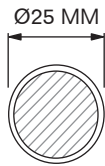
5
TIGHTEN THE TURNBUCKLE.
LOCK WITH THE NUT.
READY FOR USE.



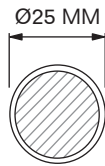
PARALLEL LASHING SYSTEM



MIN. B.L. FOR EACH LASHING = 50 TON
MIN. B.L. FOR SYSTEM = 75 TON

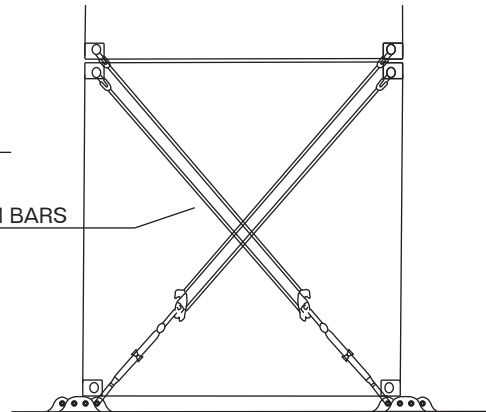


100% EFFECTIVE
 CROSS-SECTION AREA
 FOR BREAK LOAD
 & ELASTICITY.

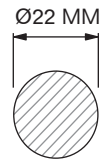


TOTAL EFFECTIVE CROSS-SECTION AREA = 736 MM²

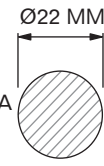
EQUALASH SYSTEM



MIN. B.L. FOR EACH LASHING = 42 TON
MIN. B.L. FOR SYSTEM = 84 TON



100% EFFECTIVE
 CROSS-SECTION AREA
 FOR BREAK LOAD
 & ELASTICITY.

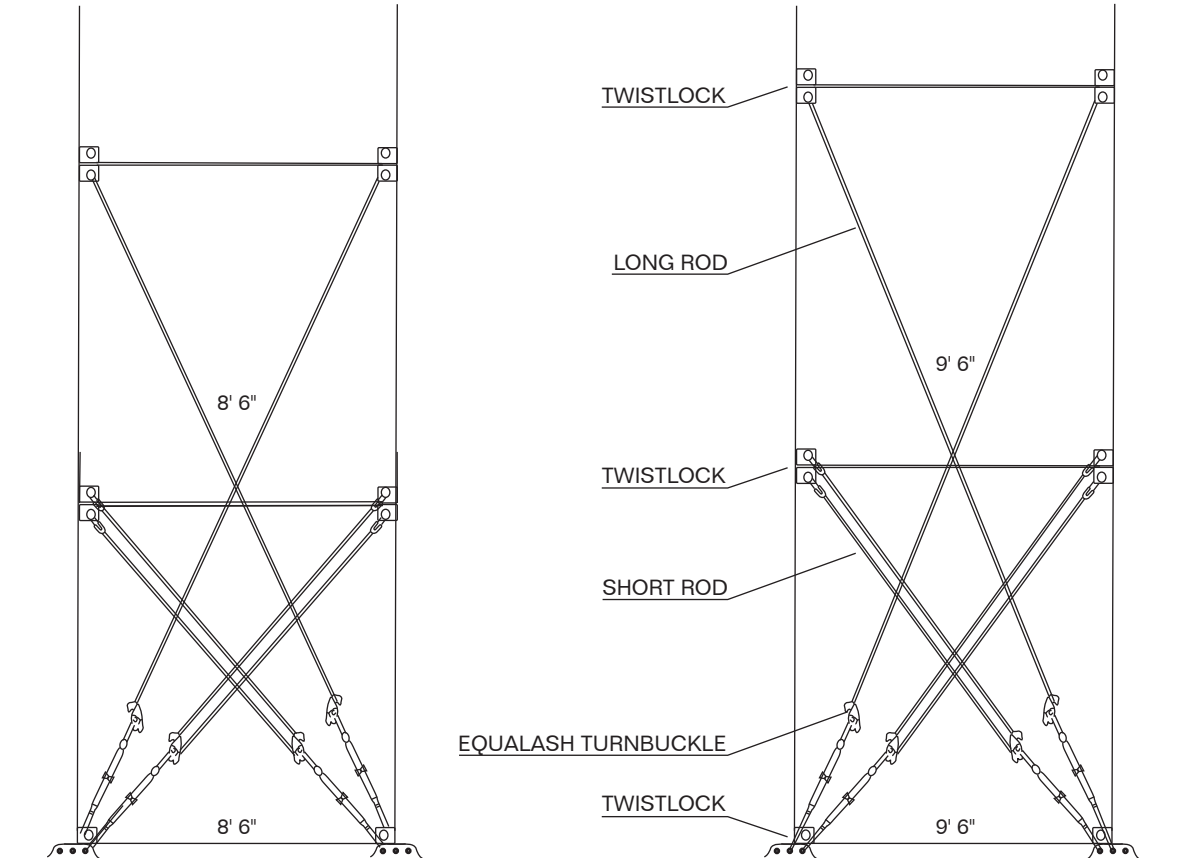


TOTAL EFFECTIVE CROSS-SECTION AREA = 760 MM²

EQUALASH GIVES THE ADVANTAGE OF PARALLEL LASHING (NO LONG RODS) WITH ONLY HALF THE QUANTITY OF TURNBUCKLES AND THINNER RODS – COMPARED WITH PARALASH (Ø22 MM INSTEAD OF Ø25 MM) – AND STILL MAINTAINING THE SAME STACK WEIGHTS.

CONTACT US FOR MORE INFORMATION.



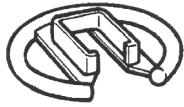


NOTE: WITH PARALASH OR EQUALASH, LONG RODS ARE USUALLY ONLY REQUIRED FOR THE WIND STACKS. THE EQUALASH TURNBUCKLE CAN THEN BE USED FOR BOTH SINGLE RODS AND DOUBLE RODS.





MODEL 5007-M5-H
HANDWHEEL



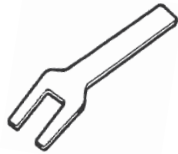
2.0 Kg
4.4 LBS

MODEL 5007-M5-B
OPERATING BAR

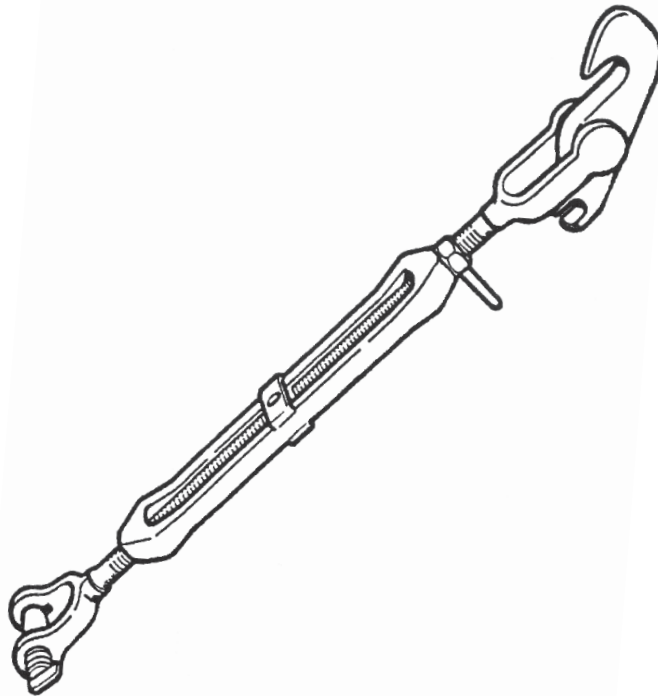


0.5 Kg
1.1 LBS

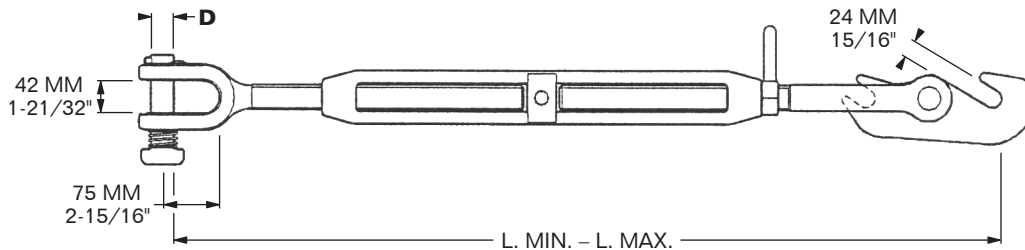
MODEL 5007-M5-W
OPERATING WRENCH



1.0 Kg
2.2 LBS



MODEL	MIN. B.L. (M. TON)	WEIGHT	D	LENGTH, MIN. - MAX.
5007-ELT-55-EXT/J	55	17.0 Kg 37.5 LBS	30 MM 1-3/16"	945 MM - 1,445 MM 37-3/16" - 56-7/8"
5007-ELT-65-EXT/J	65	18.0 Kg 39.7 LBS	32 MM 1-1/4"	
5007-ELT-65L-SUP/J	65	19.0 Kg 41.9 LBS	32 MM 1-1/4"	1,030 MM - 1,670 MM 40-1/2" - 65-3/4"

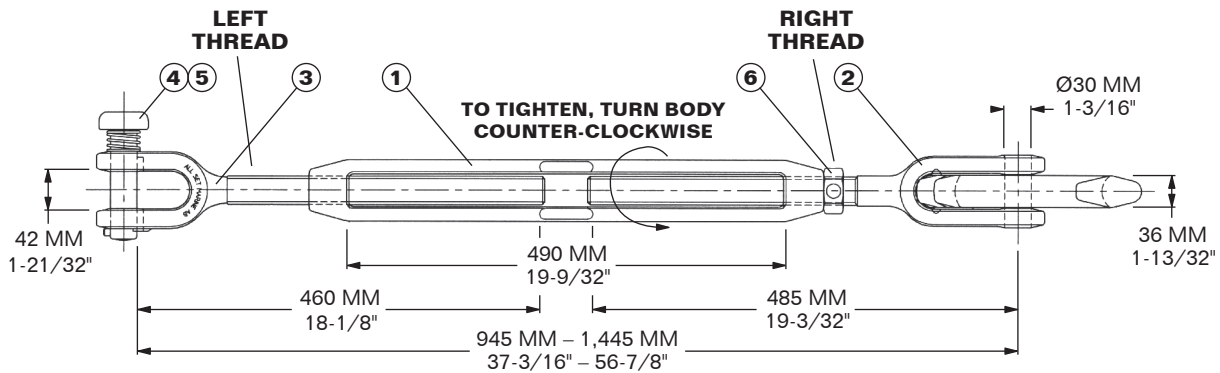
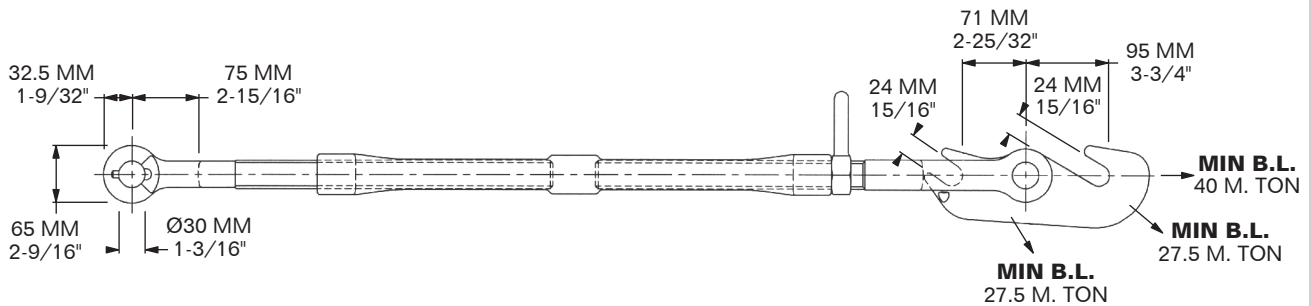


MATERIAL: DROP-FORGED, HIGH-TENSILE STEEL
FINISH: HOT-DIP GALVANIZED (HDG)
CLASS APPROVED





MODEL 5007-ELT-55-EXT/J



ITEM	QTY	MODEL	APM #	DESCRIPTION	WEIGHT
1	1	5007-M5-50-EXT-BODY		BODY	4.35 Kg / 9.6 LBS
2	1	5007-ELT-55-2		JAW w/ SHANK & SWIVEL HOOK RIGHT-HAND THREAD, ACME 34-6 MM	7.3 Kg / 16.1 LBS
3	1	5007-M5-JAW-J-SIDE		JAW w/ SHANK LEFT-HAND THREAD, ACME 34-6 MM	3.83 Kg / 8.45 LBS
4 & 5	1	5007-TB-50-TGN		TOGGLE PIN w/ SPRING & STOP PIN	0.71 Kg / 1.57 LBS
6	1	5007-ELT-65L-LN		LOCK NUT RIGHT-HAND THREAD, ACME 34-6 MM	0.18 Kg / 0.4 LBS

MIN. B.L.: 55 M. TON

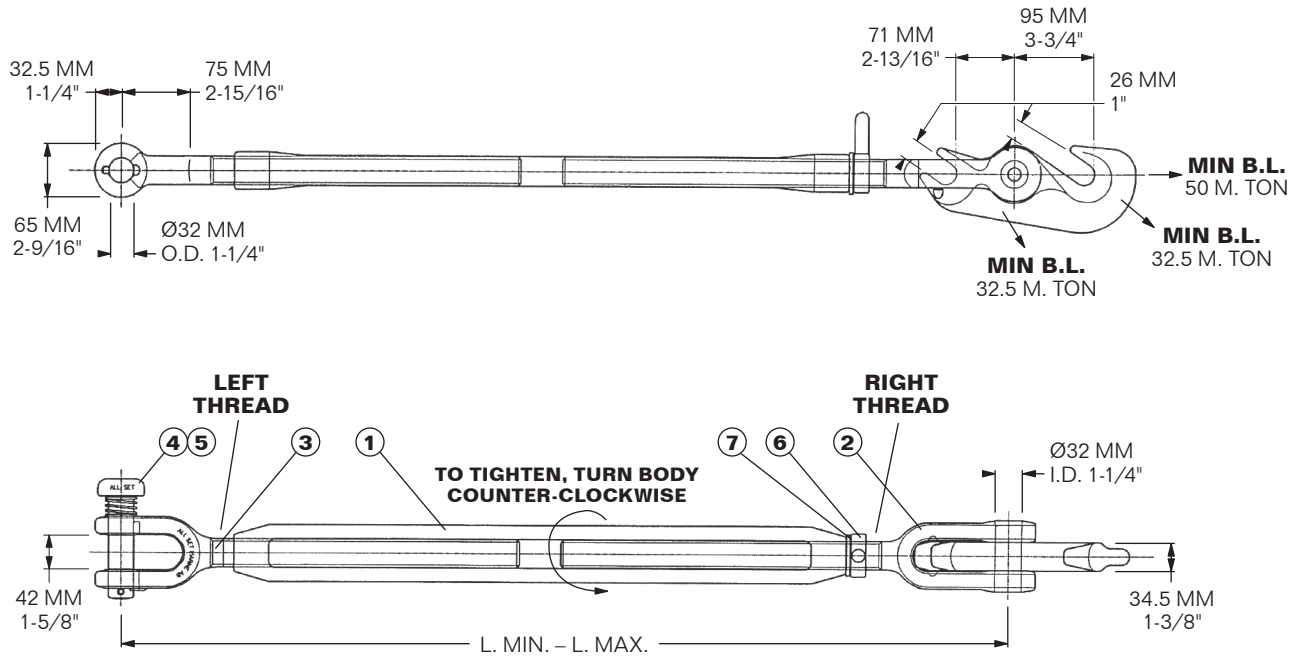
MATERIAL: STEEL
FINISH: HOT-DIP GALVANIZED (HDG)
WEIGHT: 17.0 Kg / 37.5 LBS





MODEL 5007-ELT-65-EXT/J

MODEL 5007-ELT-65L-SUP/J



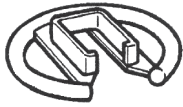
ITEM	QTY	MODEL	DESCRIPTION	WEIGHT
1	1	5007-M5-50-SUP-BODY	SPECIAL ORDER ONLY BODY	6.3 Kg / 13.9 LBS
2	1	5007-ELT-65L/2	JAW w/ SHANK & SWIVEL HOOK RIGHT-HAND THREAD, ACME 34-6 MM	7.64 Kg / 16.85 LBS
3	1	5007-EQ-60-SUP/TM34L	JAW w/ SHANK LEFT-HAND THREAD, ACME 34-6 MM	3.15 Kg / 6.95 LBS
4 & 5	1	5007-TB-50-TGN	TOGGLE PIN w/ SPRING & STOP PIN	0.8 Kg / 1.77 LBS
6	1	5007-ELT-65L-LN	LOCK NUT RIGHT-HAND THREAD, ACME 34-6 MM	0.71 Kg / 1.57 LBS
7	1	5007-M5/FLX-SW	SPRING WASHER	0.01 Kg / 0.02 LBS

MODEL	MIN. B.L. (M. TON)	WEIGHT	LENGTH, MIN. - MAX.
5007-ELT-65-EXT/J	65	18 Kg 39.7 LBS	945 MM - 1,445 MM 37-3/16" - 56-7/8"
5007-ELT-65L-SUP/J	65	19 Kg 41.9 LBS	1,030 MM - 1,670 MM 40-1/2" - 65-3/4"

MATERIAL: STEEL
FINISH: HOT-DIP GALVANIZED (HDG)



MODEL 5007-M5-H
HANDWHEEL



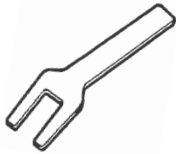
2 Kg
4.4 LBS

MODEL 5007-M5-B
OPERATING BAR

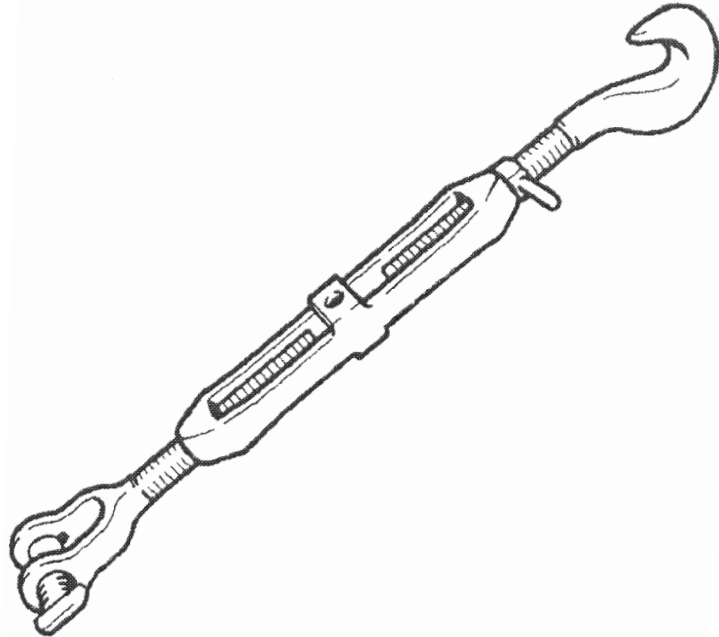


0.5 Kg
1.1 LBS

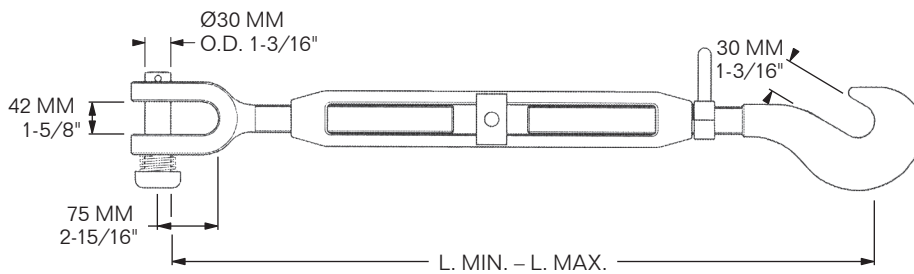
MODEL 5007-M5-W
OPERATING WRENCH



1 Kg
2.2 LBS



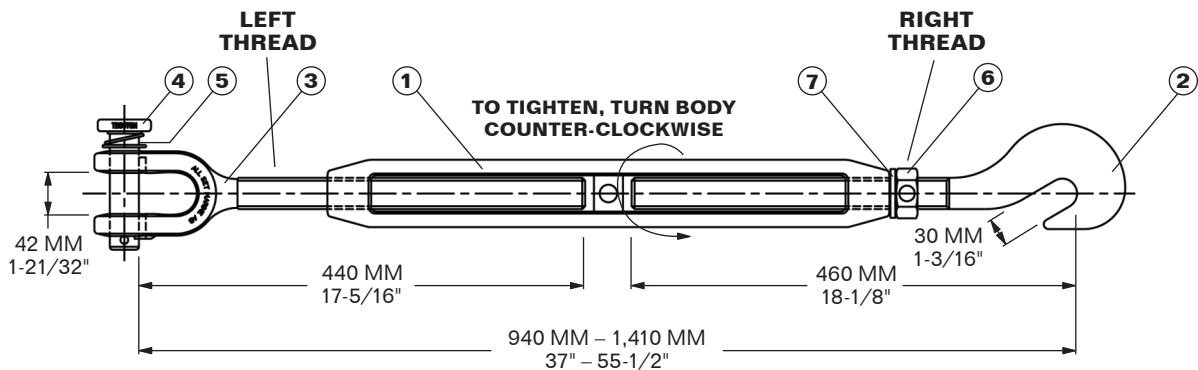
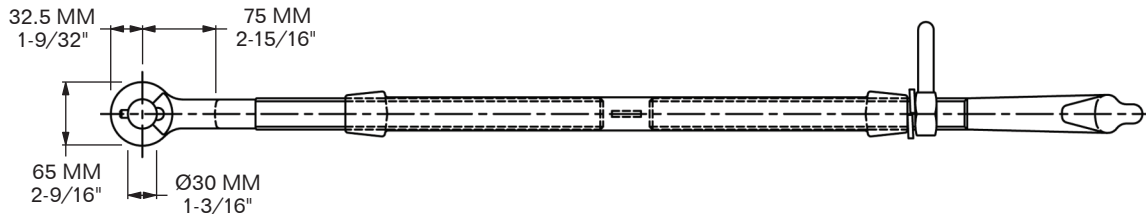
MODEL	MIN. B.L. (M. TON)	WEIGHT	LENGTH, MIN. - MAX.
5007-M5-50-EXT/J	50	14 Kg 30.9 LBS	940 MM - 1,410 MM 37" - 55-1/2"
SPECIAL ORDER ONLY 5007-M5-50-SUP/J	50	16.1 Kg 35.5 LBS	1,050 MM - 1,660 MM 41-3/8" - 65-5/16"



COUNTER PARTS: LASHING BARS (TYPE ELB & A7B-2)
MATERIAL: DROP-FORGED, HIGH-TENSILE STEEL
FINISH: HOT-DIP GALVANIZED (HDG)
CLASS APPROVED



MODEL 5007-M5-50-EXT/J
STANDARD



ITEM	QTY	MODEL	APM #	DESCRIPTION	WEIGHT
1	1	5007-M5-50-EXT-BODY		BODY	4.35 Kg / 9.6 LBS
2	1	5007-M5-HOOK-H-SIDE		HOOK w/ SHANK RIGHT-HAND THREAD, ACME 32-6 MM	3.83 Kg / 8.45 LBS
3	1	5007-M5-JAW-J-SIDE		JAW w/ SHANK LEFT-HAND THREAD, ACME 32-6 MM	3.83 Kg / 8.45 LBS
4 & 5	1	5007-TB-50-TGN	351416	TOGGLE PIN w/ SPRING & STOP PIN	0.71 Kg / 1.57 LBS
6	1	5007-M5/M7-LN		LOCK NUT RIGHT-HAND THREAD, ACME 32-6 MM	0.18 Kg / 0.4 LBS
7	1	5007-M5/FLX-SW		SPRING WASHER	0.06 Kg / 0.13 LBS

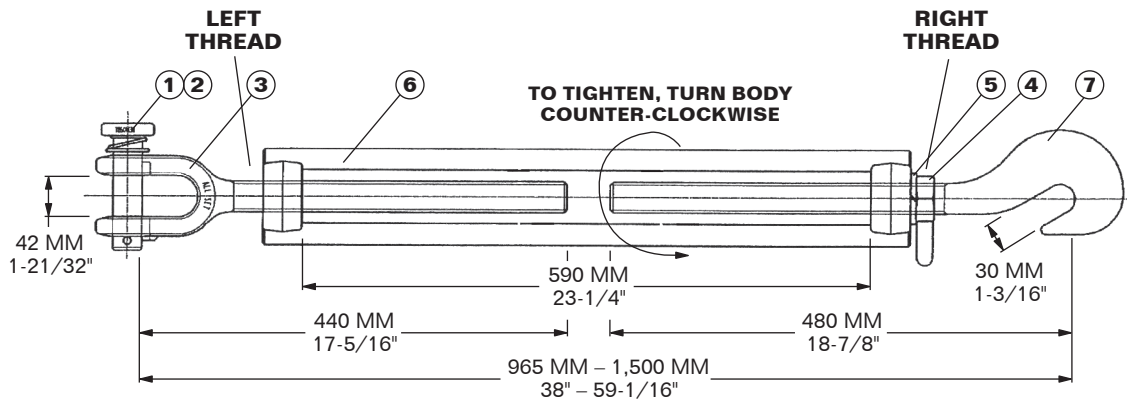
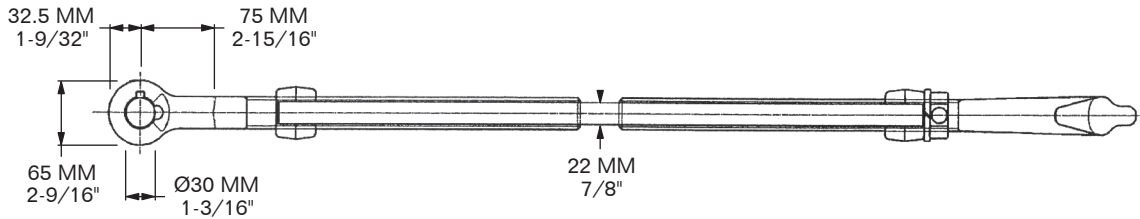
MIN. B.L.: 50 M. TON

MATERIAL: STEEL
FINISH: HOT-DIP GALVANIZED (HDG)
WEIGHT: 12.29 Kg / 27.1 LBS





MODEL 5007-M7-50-LNG/J
EXTENDED LENGTH



ITEM	QTY	MODEL	APM #	DESCRIPTION	WEIGHT
1 & 2	1	5007-TB-50-TGN	351416	TOGGLE PIN w/ SPRING & STOP PIN	0.71 Kg / 1.57 LBS
3	1	5007-M5-JAW-J-SIDE		JAW w/ SHANK LEFT-HAND THREAD, ACME 32-6 MM	3.8 Kg / 8.45 LBS
4	1	5007-M5/M7-LN		LOCK NUT RIGHT-HAND THREAD, ACME 32-6 MM	0.18 Kg / 0.4 LBS
5	1	5007-M5/FLX-SW		SPRING WASHER	0.01 Kg / 0.02 LBS
6	1	5007-M7-50-BODY		BODY	5.3 Kg / 11.8 LBS
7	1	5007-M7-HOOK-H-SIDE		HOOK w/ SHANK RIGHT-HAND THREAD, ACME 32-6 MM	3.9 Kg / 8.7 LBS

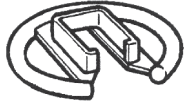
MIN. B.L.: 50 M. TON

MATERIAL: STEEL
FINISH: HOT-DIP GALVANIZED (HDG)
WEIGHT: 12.25 Kg / 27 LBS





MODEL 5007-M5-H
HANDWHEEL



2 Kg
4.4 LBS

MODEL 5007-M5-B
OPERATING BAR

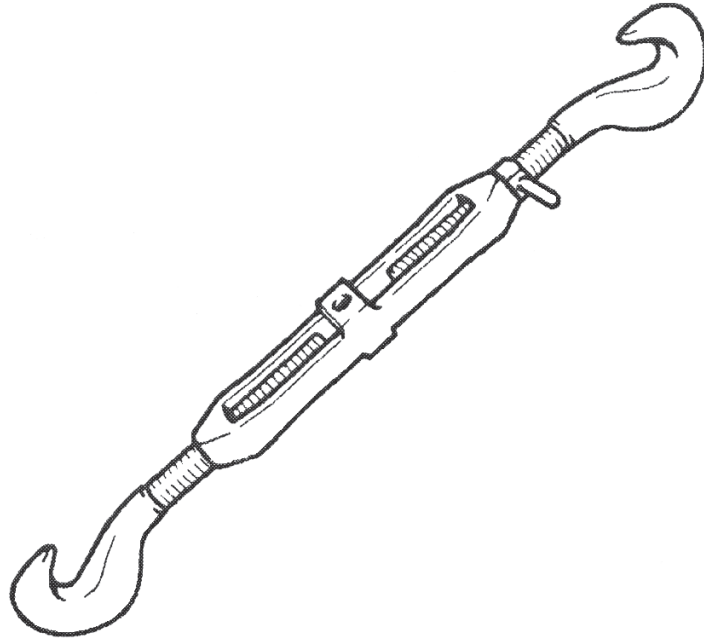


0.5 Kg
1.1 LBS

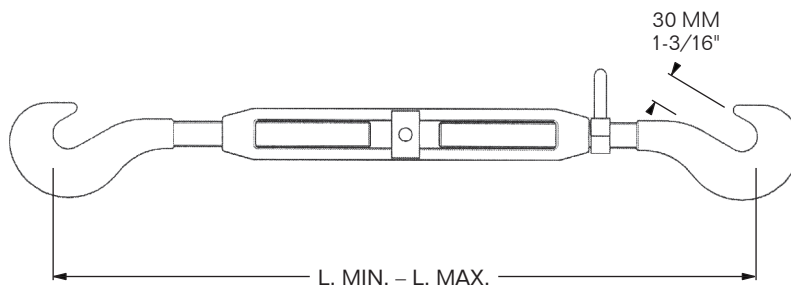
MODEL 5007-M5-W
OPERATING WRENCH



1 Kg
2.2 LBS



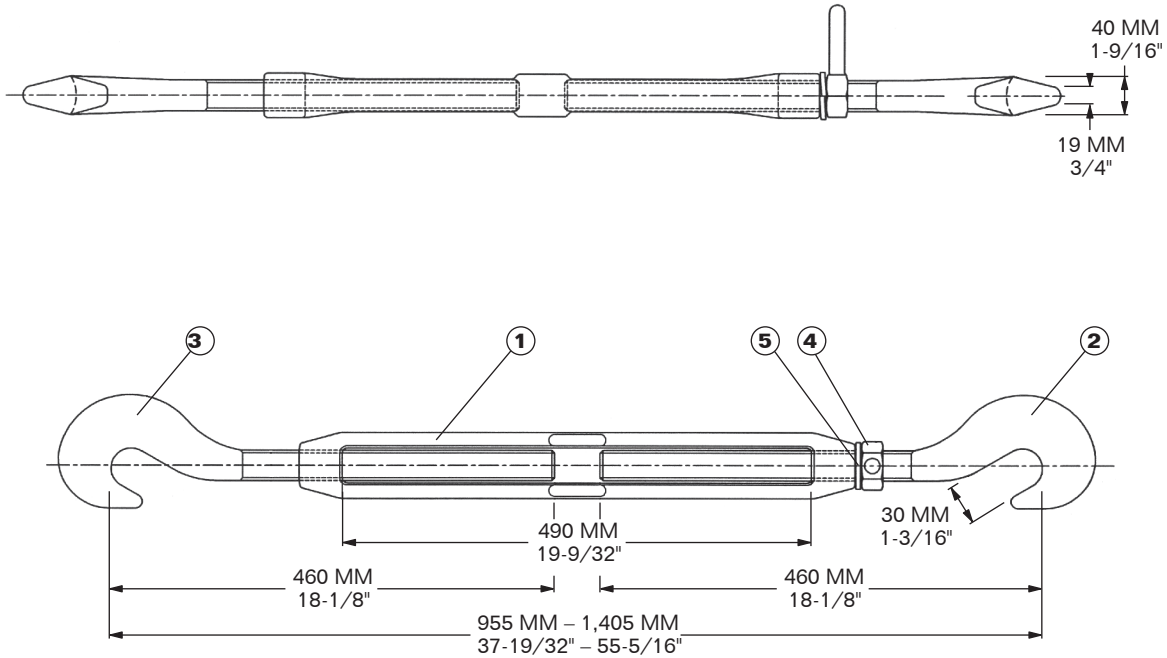
MODEL	MIN. B.L. (M. TON)	WEIGHT	LENGTH, MIN. - MAX.
5007-M5-50-EXT/H	50	14 Kg 30.9 LBS	970 MM – 1,440 MM 38-3/16" – 56-11/16"
SPECIAL ORDER ONLY 5007-M5-50-SUP/H	50	16.3 Kg 35.9 LBS	1,080 MM – 1,690 MM 42-1/2" – 66-1/2"



COUNTER PARTS: LASHING BARS (TYPE ELB & A7B-2)
MATERIAL: DROP-FORGED, HIGH-TENSILE STEEL
FINISH: HOT-DIP GALVANIZED (HDG)
CLASS APPROVED



MODEL 5007-M5-50-EXT/H



ITEM	QTY	MODEL	APM #	DESCRIPTION	WEIGHT
1	1	5007-M5-50-EXT-BODY		BODY	4.35 Kg / 9.6 LBS
2	1	5007-M5-HOOK-H-SIDE		HOOK w/ SHANK RIGHT-HAND THREAD, ACME 32-6 MM	3.83 Kg / 8.45 LBS
3	1	5007-M5-HOOK-J-SIDE		HOOK w/ SHANK LEFT-HAND THREAD, ACME 32-6 MM	3.83 Kg / 8.45 LBS
4	1	5007-M5/M7-LN		LOCK NUT RIGHT-HAND THREAD, ACME 32-6 MM	0.18 Kg / 0.4 LBS
5	1	5007-M5/FLX-SW		SPRING WASHER	0.01 Kg / 0.02 LBS

MIN. B.L.: 50 M. TON

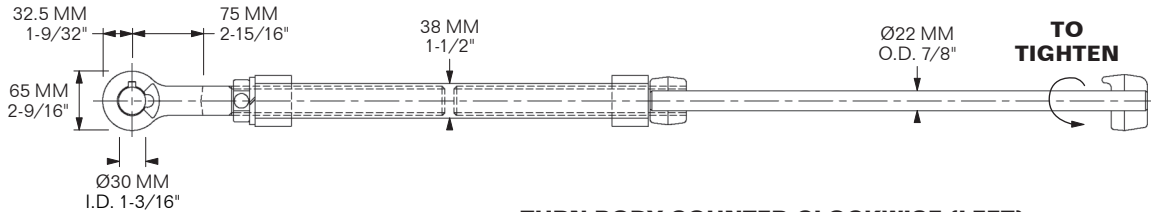
MATERIAL: STEEL
FINISH: HOT-DIP GALVANIZED (HDG)
WEIGHT: 13.5 Kg / 29.8 LBS



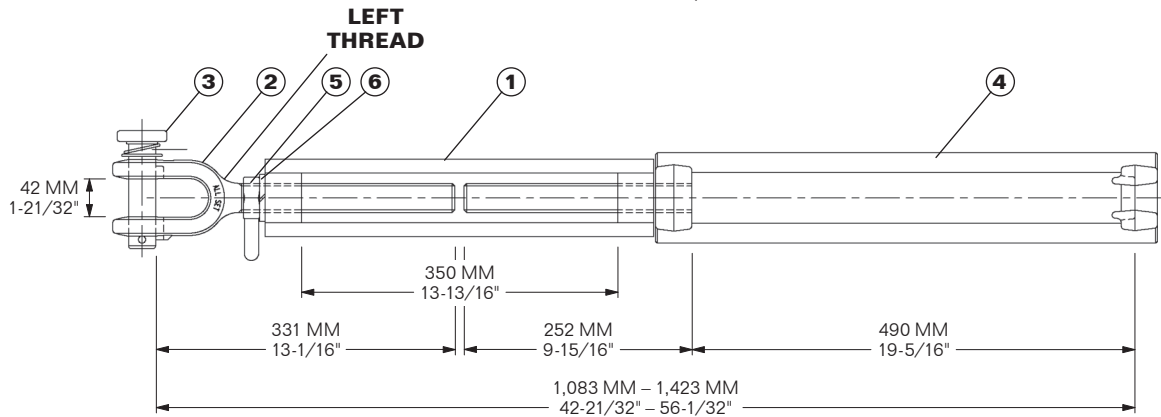


MODEL 5007-M6-50-FLX

APM # 357399
Replaces M5-42-FLX & M5-50-FLX



TURN BODY COUNTER-CLOCKWISE (LEFT) TO TIGHTEN/SHORTEN WHEN TURNBUCKLE STANDS UP w/ JAW DOWN.



ITEM	QTY	MODEL	APM #	DESCRIPTION	WEIGHT
1	1	5007-M6-50-BODY		BODY	3.22 Kg / 7.1 LBS
2	1	5007-M6-JAW/2-3		JAW w/ SHANK & TOGGLE PIN LEFT-HAND THREAD, ACME 32-6 MM	3.06 Kg / 6.75 LBS
3	1	5007-TB-50-TGN	357416	TOGGLE PIN w/ SPRING & STOP PIN	0.71 Kg / 1.57 LBS
4	1	5007-M6-50-12711		SOCKET w/ THREADED SHANK	6.57 Kg / 14.5 LBS
5	1	5007-M6-50-LN46		LOCK NUT LEFT-HAND THREAD, ACME 32-6 MM	0.18 Kg / 0.4 LBS
6	1	5007-M5/FLX-SW		SPRING WASHER	0.06 Kg / 0.13 LBS

MIN. B.L.: 50 M. TON

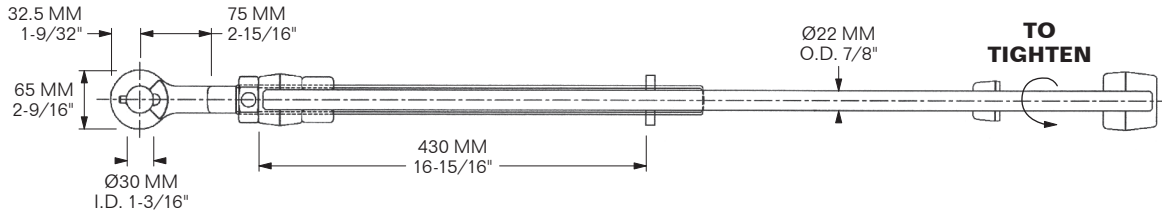
MATERIAL: STEEL
FINISH: HOT-DIP GALVANIZED (HDG)
WEIGHT: 13.81 Kg / 30.45 LBS



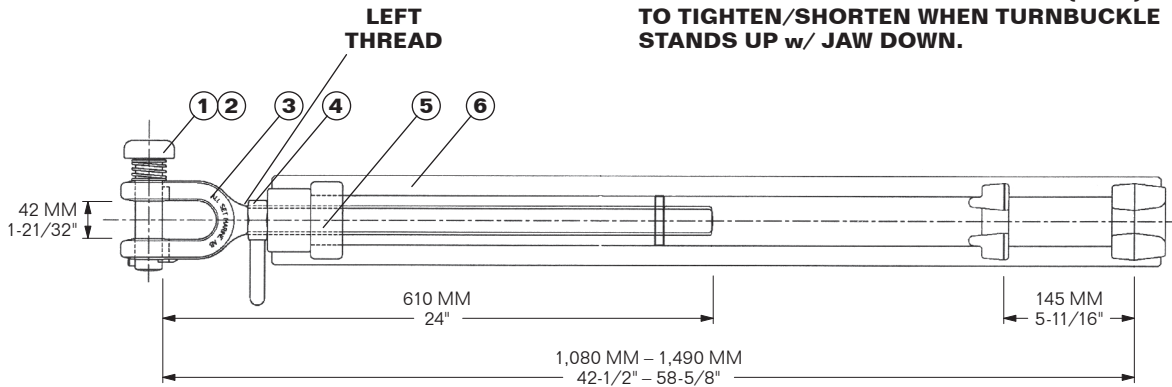


MODEL 5007-FLX5-TB-50

APM # 414515



TURN BODY COUNTER-CLOCKWISE (LEFT) TO TIGHTEN/SHORTEN WHEN TURNBUCKLE STANDS UP w/ JAW DOWN.



ITEM	QTY	MODEL	APM #	DESCRIPTION	WEIGHT
1 & 2	1	5007-TB-50-TGN	357416	TOGGLE PIN w/ SPRING & STOP PIN	0.71 Kg / 1.57 LBS
3	1	5007-FLX5-JAW/1-3		JAW w/ SHANK LEFT-HAND THREAD, ACME 32-6 MM	6.21 Kg / 13.7 LBS
4	1	5007-M6-50-LN46		LOCK NUT LEFT-HAND THREAD, ACME 32-6 MM	0.18 Kg / 0.4 LBS
5	1	5007-FLX5-6		BEARING RIGHT-HAND THREAD, ACME 32-6 MM	0.61 Kg / 1.35 LBS
6	1	5007-FLX5-BODY		BODY	6.89 Kg / 15.2 LBS

MIN. B.L.: 50 M. TON

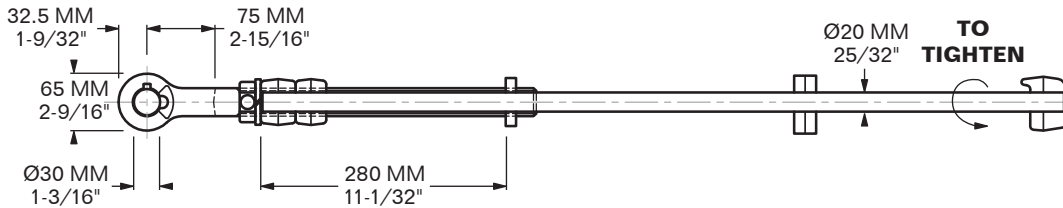
MATERIAL: STEEL
FINISH: HOT-DIP GALVANIZED (HDG)
WEIGHT: 14.6 Kg / 32.2 LBS



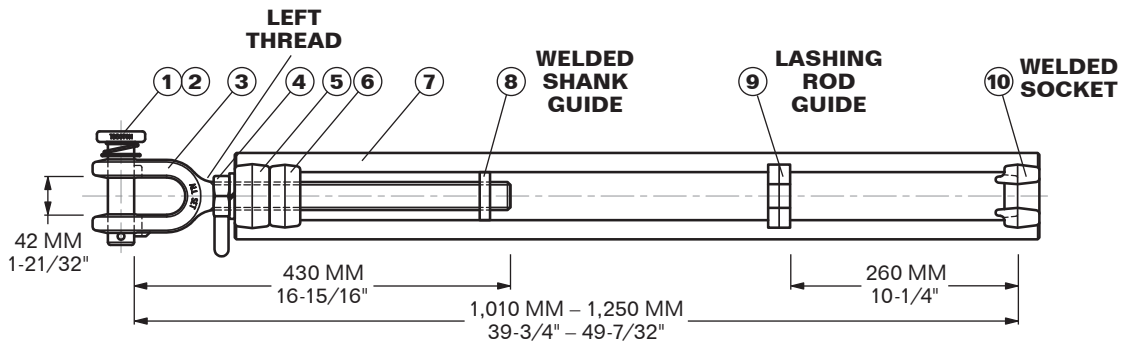


MODEL 5007-FLX5-TB-50-240

APM #344935



TURN BODY COUNTER-CLOCKWISE (LEFT) TO TIGHTEN / SHORTEN WHEN TURNBUCKLE STANDS UP w/ JAW DOWN.



ITEM	QTY	MODEL	APM #	DESCRIPTION	WEIGHT
1 & 2	1	5007-TB-50-TGN	351416	TOGGLE PIN w/ SPRING & STOP PIN	0.71 Kg / 1.57 LBS
3	1	5007-FLX5-240-3		JAW w/ SHANK LEFT-HAND THREAD, ACME 32-6 MM	5.53 Kg / 12.2 LBS
4	1	5007-M6-50-LN46		LOCK NUT LEFT-HAND THREAD, ACME 32-6 MM	0.18 Kg / 0.4 LBS
6	1	5007-FLX5-240-6		BEARING LEFT-HAND THREAD, ACME 32-6 MM	0.61 Kg / 1.35 LBS
5, 7-10	1	5007-FLX5/5,7-10		BODY	6.89 Kg / 15.2 LBS

MIN. B.L.: 50 M. TON

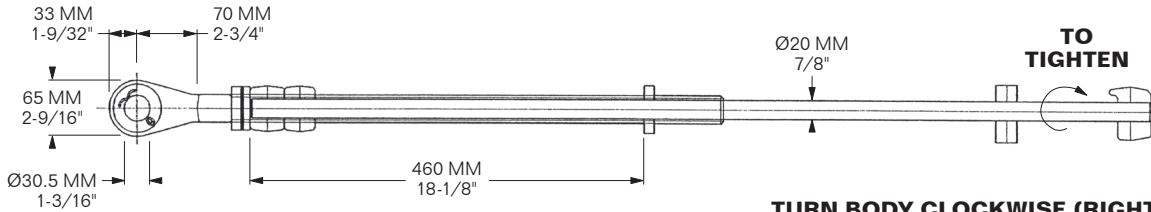
SUB FOR: TAIYO SEIKI BK-500
REFERENCE: FLX5-TB-50/1130, 004866
MATERIAL: STEEL
FINISH: HOT-DIP GALVANIZED (HDG)
WEIGHT: 13.2 Kg / 29.1 LBS



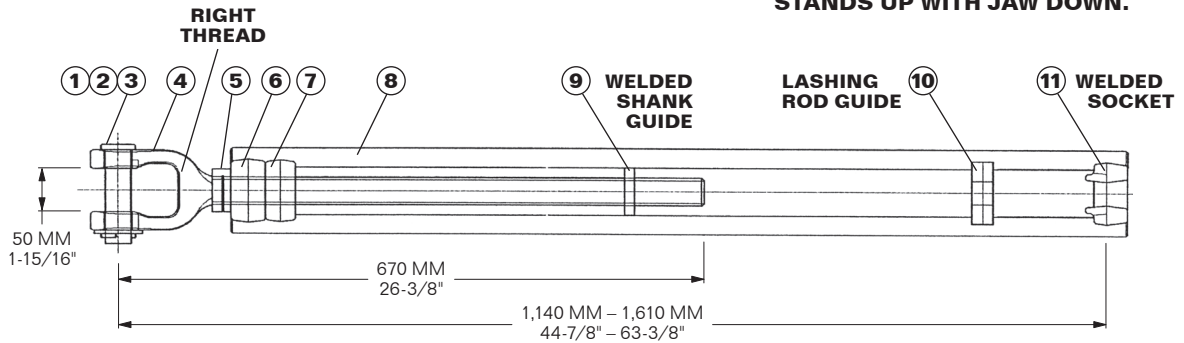


MODEL 5007-FLX5-TB-50/APM

APM #340265



**TURN BODY CLOCKWISE (RIGHT)
TO TIGHTEN / SHORTEN WHEN TURNBUCKLE
STANDS UP WITH JAW DOWN.**

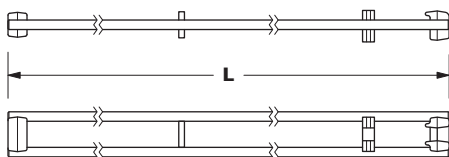


ITEM	QTY	MODEL	APM #	DESCRIPTION	WEIGHT
1	1	5201-4561-SS	317892	COTTER PIN, 6 x 50 MM	0.01 Kg / 0.02 LBS
2	1	5007-APM-510-00/10	317891 334317	WASHER	0.03 Kg / 0.05 LBS
3	1	5007-APM-510-00/7	317890 334316	CLEVIS PIN	0.66 Kg / 1.46 LBS
4	1	5007-FLX5-APM-JAW		JAW w/ SHANK RIGHT-HAND THREAD, ACME 1-1/4" – 5 TPI	5.4 Kg / 11.9 LBS
5	1	5007-APM-510-00/4	326550	LOCK NUT RIGHT-HAND THREAD, ACME 1-1/4" – 5 TPI	0.24 Kg / 0.54 LBS
6, 8-11	1	5007-FLX5-APM-BODY	see chart below	BODY	6.6 Kg / 14.6 LBS
7	1	5007-FLX5-APM-7		THREADED BEARING NUT RIGHT-HAND THREAD, ACME 1-1/4" – 5 TPI	0.52 Kg / 1.15 LBS

MIN. B.L. TENSION: 50 M. TON

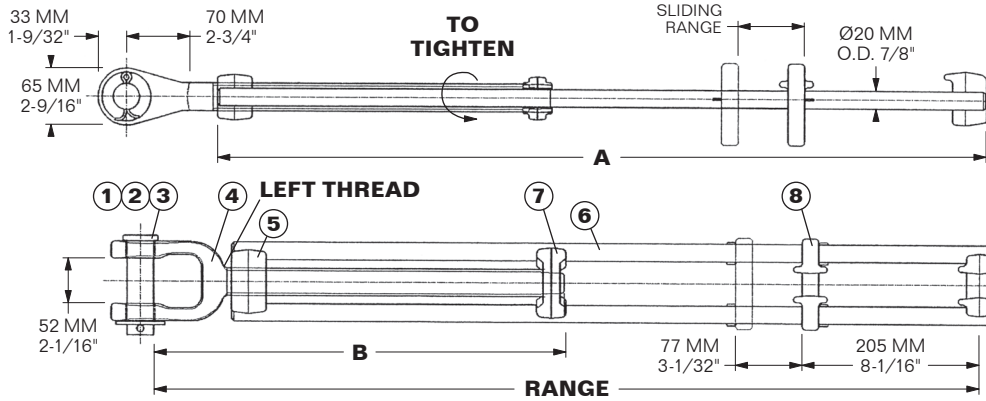
MATERIAL: STEEL FINISH: HOT-DIP GALVANIZED (HDG) WEIGHT: 15.5 Kg / 34.2 LBS

FLX5-APM Turnbuckle Body
Round bar w/ forged end fittings welded on



MODEL	APM #	L (Length)
5007-FLX5-APM-BODY-1229020	428044	802 MM / 31.6"
5007-FLX5-APM-BODY-1229016	428045	887 MM / 34.9"
5007-FLX5-APM-BODY-1229034	463100	907 MM / 35.7"
5007-FLX5-APM-BODY-1229018	428047	977 MM / 38.5"
5007-FLX5-APM-BODY-1238968	463105	1,087 MM / 42.8"
5007-FLX5-APM-BODY-1229021	463106	1,132 MM / 44.6"





MODEL # APM # / SAP material #	A	B	WEIGHT	RANGE	BODY w/ PARTS 5 6 8 9		APM #
					JAW (4) (SOLD w/o CLEVIS PIN)		
5007-FLX5-APM700-224-S 414907 / 1120881	610 MM 24"	384 MM 15-1/8"	9.25 Kg 20.4 LBS	700 MM – 924 MM 27-9/16" – 36-3/8"	5007-FLX5-APM-700/5,6,8,9		435601
					5007-FLX5-APM-700/4		435649*
5007-FLX5-APM856-200-S 357390 / 1153799	766 MM 30-5/32"	360 MM 14-3/16"	9.93 Kg 21.9 LBS	856 MM – 1,056 MM 33-11/16" – 41-9/16"	5007-FLX5-APM-856/5,6,8,9		428044
					5007-FLX5-APM-856-200/4		428048*
5007-FLX5-APM856-224-S 414899 / 1120886	766 MM 30-5/32"	384 MM 15-1/8"	10.1 Kg 22.3 LBS	856 MM – 1,080 MM 33-11/16" – 42-1/2"	5007-FLX5-APM-856/5,6,8,9		435610
					5007-FLX5-APM-856-224/4		435652*
5007-FLX5-APM950-260-S 426550 / 1120889	860 MM 33-27/32"	422 MM 16-5/8"	10.8 Kg 23.81 LBS	950 MM – 1,210 MM 37-13/32" – 47-5/8"	5007-FLX5-APM-950/5,6,8,9		428045
					5007-FLX5-APM-950/4		428049*
5007-FLX5-APM970-320-S 426551 / 1120891	880 MM 34-21/32"	482 MM 18-31/32"	10.3 Kg 23.15 LBS	970 MM – 1,290 MM 38-3/16" – 50-25/32"	5007-FLX5-APM-970/5,6,8,9		428046
					5007-FLX5-APM-970/4		428055*
5007-FLX5-APM1040-350-S 426552 / 1120864	950 MM 37-13/32"	512 MM 20-5/32"	11.5 Kg 25.4 LBS	1,040 MM – 1,390 MM 40-15/16" – 54-23/32"	5007-FLX5-APM-1040/5,6,8,9		428047
					5007-FLX5-APM-1040/4		428057*
5007-FLX5-APM1056-130-S 358447 / 1131076	966 MM 38-1/32"	290 MM 11-7/16"	10.61 Kg 23.4 LBS	1,056 MM – 1,186 MM 41-9/16" – 46-11/16"	5007-FLX5-APM-1056/5,6,8,9		360769
					5007-FLX5-APM-1056/4		360774*
5007-FLX5-APM1090-190 312571 / 1154800	1,000 MM 39-3/8"	356 MM 14-1/32"	10.6 Kg 23.37 LBS	1,090 MM – 1,280 MM 42-29/32" – 50-3/8"	5007-FLX5-APM-1090/5,6,8,9		317899
					5007-FLX5-APM-1090-190/4		317900*
5007-FLX5-APM1090-435-S 427873 / 1120869	1,000 MM 39-3/8"	595 MM 23-7/16"	12.5 Kg 27.56 LBS	1,090 MM – 1,525 MM 42-29/32" – 60-1/32"	5007-FLX5-APM-1090/5,6,8,9		430360
					5007-FLX5-APM-1090-435/4		430361*
5007-FLX5-APM1150-224-S 408810 / 1120875	1,060 MM 41-23/32"	384 MM 15-1/8"	11.48 Kg 25.3 LBS	1,150 MM – 1,374 MM 45-1/4" – 54-1/16"	5007-FLX5-APM-1150/5,6,8,9		428059
					5007-FLX5-APM-1150-224/4		428060*
5007-FLX5-APM1195-300-S 408811 / 1120878	1,105 MM 43-1/2"	470 MM 18-1/2"	12.11 Kg 26.7 LBS	1,195 MM – 1,495 MM 47-1/16" – 58-7/8"	5007-FLX5-APM-1195/5,6,8,9		408815
					5007-FLX5-APM-1195-300/4		408822*
5007-FLX5-APM1195-350-S 427636 / 1153801	1,105 MM 43-1/2"	510 MM 20-1/16"	12.25 Kg 27 LBS	1,195 MM – 1,545 MM 47-1/16" – 60-13/16"	5007-FLX5-APM-1195/5,6,8,9		451013
					5007-FLX5-APM-1195-350/4		428063*

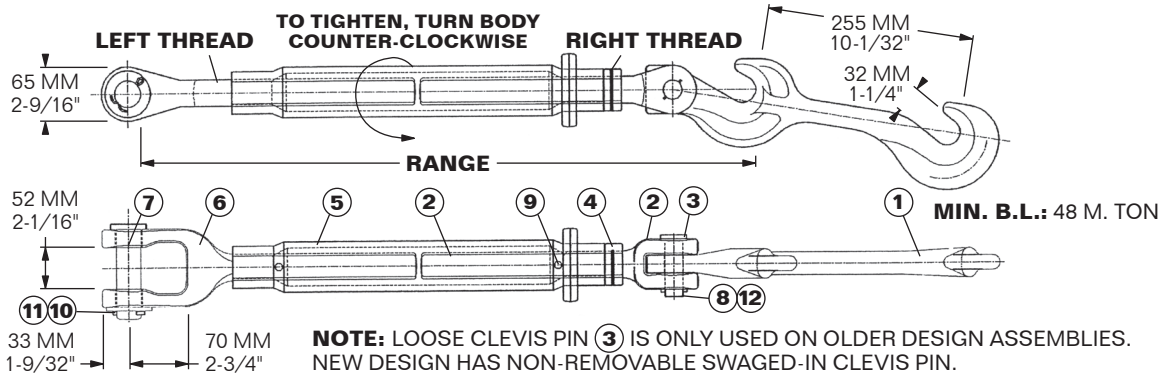
***NOTE:** APM # INCLUDES JAW w/ CLEVIS PIN. BUI # INCLUDES JAW ONLY; CLEVIS PIN MUST BE PURCHASED SEPARATELY. SEE BELOW FOR PART # INFORMATION.

ITEM	QTY	MODEL	APM #	DESCRIPTION	WEIGHT
1	1	5007-APM-510-00/7	317890 / 334316	CLEVIS PIN	0.66 Kg / 1.46 LBS
2	1	5007-APM-510-00/10	317891 / 334317	WASHER	0.03 Kg / 0.05 LBS
3	1	5201-4561-SS	317892	COTTER PIN	0.01 Kg / 0.02 LBS
7	1	5007-FLX5-APM/004026	408823	SAFETY SELF-LOCK	0.9 Kg / 2 LBS
8	1	5007-FLX5-APM/8		SLIDING GUIDE	1.09 Kg / 2.4 LBS

MIN. B.L.: 50 M. TON

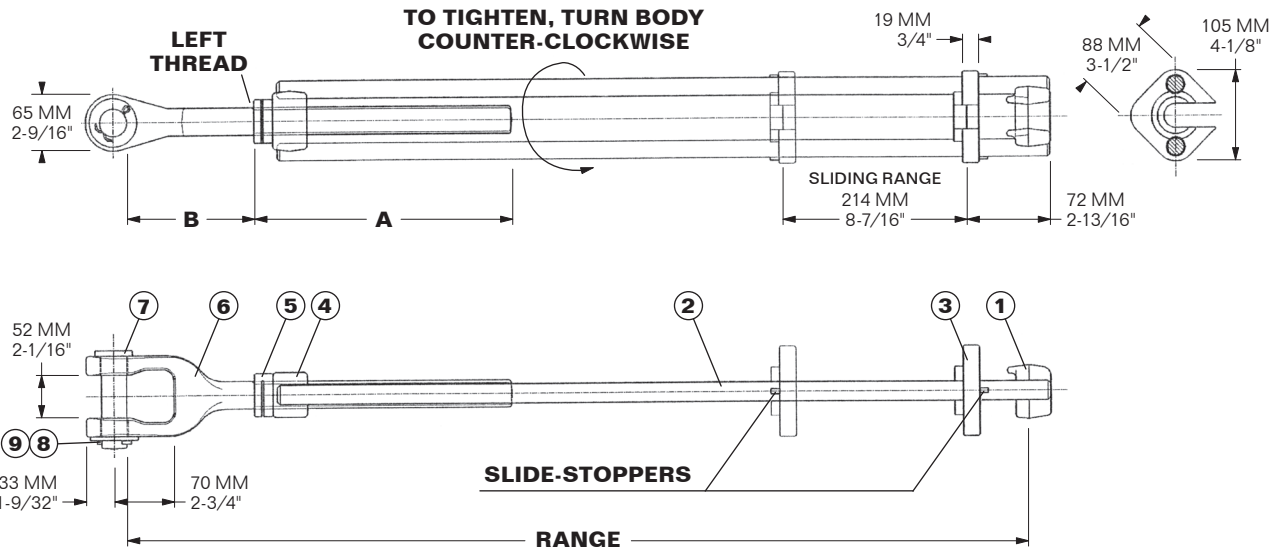
MATERIAL: STEEL **FINISH:** HOT-DIP GALVANIZED (HDG)





MODEL & APM#	WEIGHT	RANGE	A: DOUBLE HOOK ① w/ JAW & SHANK ASSY. ② w/ SWAGED-IN PIN	APM #
			B: JAW & SHANK ② FOR HOOK	
			C: JAW & SHANK ⑥ FOR LASHING EYE	
			D: BODY ⑤	
5007-APM-510-00 345361	11.7 Kg 25.8 LBS	510 – 620 MM 20" – 24-7/16"	A: 5007-APM-510-00/1+2 Assembly	
			B: 5007-APM-510-00/2	308119
			C: 5007-APM-510-00/6	308113
			D: 5007-APM-510-00/5	
5007-APM-550-00 345362	12.3 Kg 27.1 LBS	550 – 700 MM 21-11/16" – 27-9/16"	A: 5007-APM-550-00/1+2 Assembly	
			B: 5007-APM-550-00/2	308120
			C: 5007-APM-550-00/6	308114
			D: 5007-APM-550-00/5	
5007-APM-620-00 313812	13.7 Kg 30.2 LBS	620 – 840 MM 24-7/16" – 33"	A: 5007-APM-620-00/1+2 Assembly	
			B: 5007-APM-620-00/2	317880
			C: 5007-APM-620-00/6	317881
			D: 5007-APM-620-00/5	317879
5007-APM-705-00 308027	15.1 Kg 33.3 LBS	705 – 1,010 MM 27-3/4" – 39-3/4"	A: 5007-APM-705-00/1+2 Assembly	
			B: 5007-APM-705-00/2	308121
			C: 5007-APM-705-00/6	308115
			D: 5007-APM-705-00/5	
5007-APM-735-00 326911	15.4 Kg 34 LBS	735 – 1,070 MM 28-15/16" – 42-1/8"	A: 5007-APM-735-00/1+2 Assembly	
			B: 5007-APM-735-00/2	326914
			C: 5007-APM-735-00/6	326915
			D: 5007-APM-735-00/5	339140
5007-APM-750-00 308028	15.6 Kg 34.4 LBS	750 – 1,100 MM 29-1/2" – 43-5/16"	A: 5007-APM-750-00/1+2 Assembly	
			B: 5007-APM-750-00/2	308122
			C: 5007-APM-750-00/6	308116
			D: 5007-APM-750-00/5	317882
5007-APM-850-00 308031	17.3 Kg 38.1 LBS	850 – 1,300 MM 33-15/32" – 51-3/16"	A: 5007-APM-850-00/1+2 Assembly	
			B: 5007-APM-850-00/2	308124
			C: 5007-APM-850-00/6	308118
			D: 5007-APM-850-00/5	317883

ITEM	QTY	MODEL	APM #	DESCRIPTION	WEIGHT
1	1	5007-APM-510-00/1	308125	DOUBLE HOOK	3.76 Kg / 8.3 LBS
3	1	5007-APM-510-00/3	308126	CLEVIS PIN, NON-SWAGED	0.2 Kg / 0.44 LBS
4	1	5007-APM-510-00/4	326550	LOCK NUT RIGHT-HAND THREAD, ACME 1-1/4" – 5 TPI	0.24 Kg / 0.54 LBS
7	1	5007-APM-510-00/7	317890/334316	CLEVIS PIN	0.66 Kg / 1.46 LBS
8	1	5008-APM-2100-00/6	308145/1	SPRING PIN, 6 x 28 MM, SS	0.07 Kg / 0.15 LBS
9	2	5007-APM-510-00/9	308137	PLUG, PLASTIC	0.01 Kg / 0.02 LBS
10	1	5007-APM-510-00/10	317891/334317	WASHER, SS	0.03 Kg / 0.05 LBS
11	1	5201-4561-SS	317892	COTTER PIN, 6 x 50 MM	0.01 Kg / 0.02 LBS
12	1	5008-APM-2100-00/7	308145/2	SPRING PIN, 3.5 x 28 MM, SS	0.02 Kg / 0.05 LBS

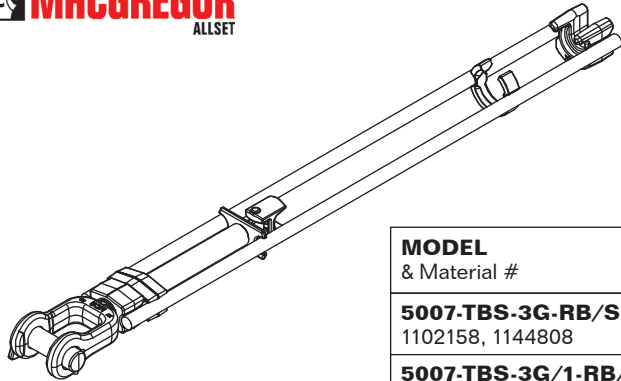


MODEL & APM #	A	B	WEIGHT	RANGE	BODY w/ PARTS ①②③④	APM #
					JAW ⑥ (SOLD w/o CLEVIS PIN)	
5007-APM-840-140-00 312572	206 MM 8-1/8"	100 MM 3-15/16"	9.8 Kg 21.5 LBS	840 – 980 MM 33-1/16" – 38-9/16"	5007-APM-840/1-4	317897
					5007-APM-840-140/6	317898
5007-APM-840-180-00 324143 / 424990	246 MM 9-11/16"	100 MM 3-15/16"	9.4 Kg 20.7 LBS	840 – 1,020 MM 33-1/16" – 40-5/32"	5007-APM-840/1-4	324823
					5007-APM-840-180/6	324825
5007-APM-1050-230-00 324144 / 424991	299 MM 11-3/4"	147 MM 5-25/32"	10.07 Kg 22.2 LBS	1,050 – 1,280 MM 41-3/8" – 50-3/8"	5007-APM-1050/1-4	324824
					5007-APM-1050-230/6	324826
5007-APM-1090-190-00 312571 / 317899	256 MM 10-1/16"	100 MM 4"	11.5 Kg 25.3 LBS	1,090 – 1,280 MM 43" – 50-3/8"	5007-APM-1090/1-4	312571/317899
					5007-APM-1090/6	317900
5007-APM-1225-220-00 312570 / 424992	412 MM 16-1/4"	100 MM 4"	10.82 Kg 23.85 LBS	1,090 – 1,445 MM 43" – 56-7/8"	5007-APM-1225/1-4	317901
					5007-APM-1225-220/6	317902

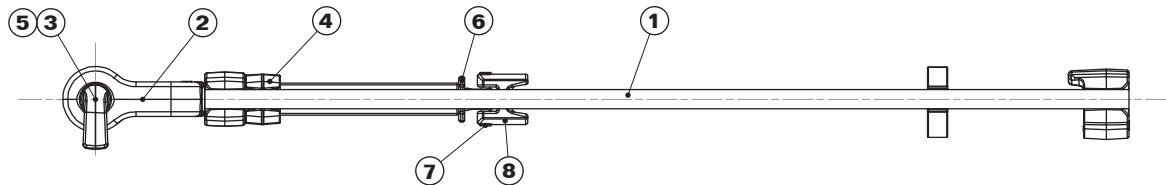
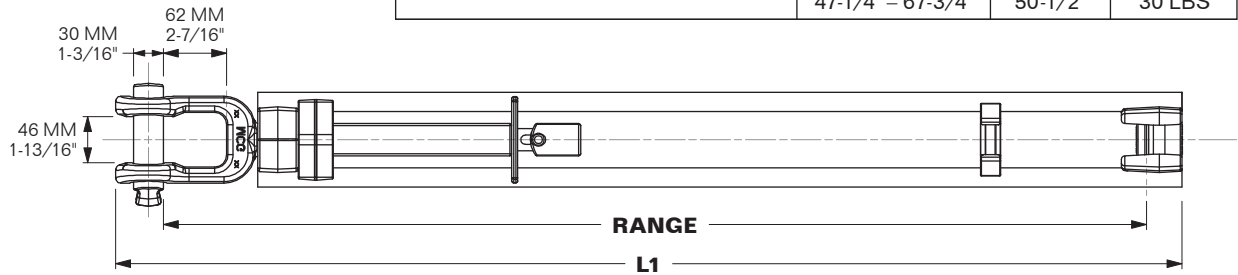
ITEM	QTY	MODEL	APM #	DESCRIPTION	WEIGHT
5	1	5007-FLX5-APM-5	326549	LOCK NUT LEFT-HAND THREAD, ACME 1-1/4" – 5 TPI	0.24 Kg / 0.54 LBS
7	1	5007-APM-510-00/7	317890/334316	CLEVIS PIN	0.66 Kg / 1.46 LBS
8	1	5007-APM-510-00/10	317891/334317	WASHER	0.03 Kg / 0.05 LBS
9	1	5201-4561-SS	317892	COTTER PIN	0.01 Kg / 0.02 LBS

MIN. B.L.: 48 M. TON

MATERIAL: STEEL **FINISH:** HOT-DIP GALVANIZED (HDG)



MODEL & Material #	RANGE	L1	WEIGHT
5007-TBS-3G-RB/SR-1236915 1102158, 1144808	975 – 1,255 MM 38-3/8" – 49-3/8"	1,058 MM 41-5/8"	11.1 Kg 24.5 LBS
5007-TBS-3G/1-RB/SR-1236914 1086963	1,080 – 1,485 MM 42-1/2" – 58-1/2"	1,163 MM 45-3/4"	12.3 Kg 27.1 LBS
5007-TBS-3G/V-RB/SR-1236916 1144810	1,117 – 1,545 MM 44" – 60-7/8"	1,200 MM 47-1/4"	12.6 Kg 27.8 LBS
5007-TBS-3G/V2-RB/SR-1241703	1,171 – 1,671 MM 46-1/8" – 65-3/4"	1,254 MM 49-3/8"	13.3 Kg 29.3 LBS
5007-TBS-3G/9-RB/SR-1236917	1,200 – 1,720 MM 47-1/4" – 67-3/4"	1,283 MM 50-1/2"	13.6 Kg 30 LBS



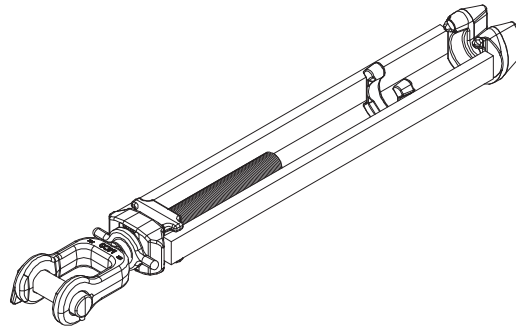
ITEM	QTY.	DESCRIPTION	MATERIAL #	BUI #
1	1	Body	Buy Turnbuckle	— n/a —
2	1	Jaw w/ Shank	Buy Turnbuckle	— n/a —
3	1	Clevis Pin	1034364	5007-TBS-1034364
4	1	Sliding Nut	1065066	5007-TBS-3G-1065066
5	1	Groove Pin (SS)	1009578, 1065087	5007-TBS-1065087/1009578
6	1	Shank Guide	1087094	5007-TBS-3G-1087094
7	1	Rivet (SS)	1236933	5007-TBS-3G-1236933
8	1	Slack Reducer	1087093, 1087102	5007-TBS-3G-1087093

FOR OPERATING,
USE SPANNER TOOL:
5007-B-88/1
(Material #1065091)

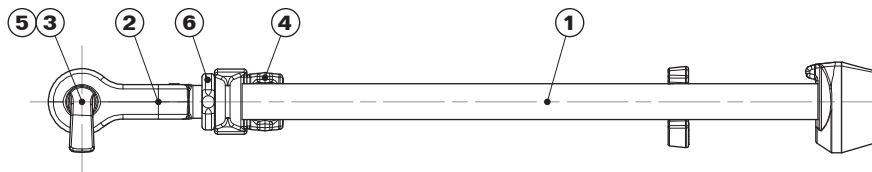
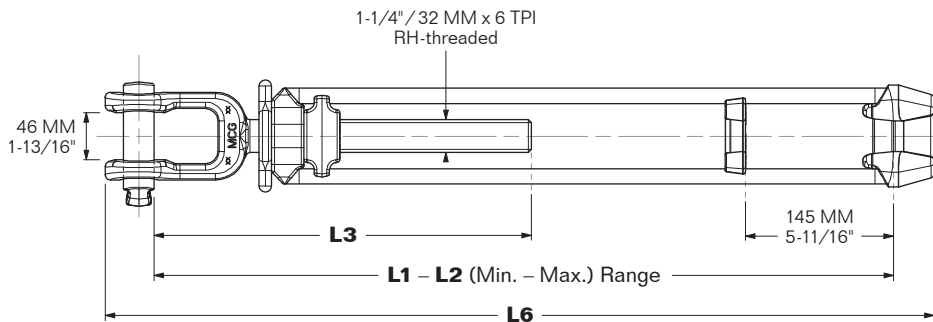
MIN. BREAKING STRENGTH (MBS): 50 M. Ton

MATERIAL: HIGH-TENSILE STEEL **FINISH:** HOT-DIP GALVANIZED **GREASED:** SPINDLE ONLY





MODEL & Material #	L1 - L2 (Min.-Max.) Range	L3	L6 Overall Length	WEIGHT
5007-TBS-3G/1-FB-CN-1238091 1238083 & 1238086	1,080 – 1,490 MM 42-1/2" – 58-11/16"	592 MM 23-5/16"	1,162 MM 45-3/4"	16.7 Kg 36.8 LBS
5007-TBS-3G/V2-FB-CN-1238094 1238105 & 1238088	1,130 – 1,620 MM 44-1/2" – 63-3/4"	672 MM 26-7/16"	1,213 MM 47-3/4"	17.6 Kg 38.8 LBS



ITEM	QTY.	DESCRIPTION	MATERIAL #	BUI #
1	1	Body	Buy Turnbuckle	— n/a —
2	1	Jaw w/ Shank	Buy Turnbuckle	— n/a —
3	1	Clevis Pin	1034364	5007-TBS-1034364
4	1	Sliding Nut	1034513	5007-TBS-3G-1034513
5	1	Groove Pin (SS)	1009578, 1065087	5007-TBS-1065087/1009578
6	1	Counter Nut	1058850	5007-TBS-3G-1058850

FOR OPERATING,
USE SPANNER TOOL:
5007-B-88
(Material #1009984)

MIN. BREAKING STRENGTH (MBS): 50 M. Ton

MATERIAL: HIGH-TENSILE STEEL **FINISH:** HOT-DIP GALVANIZED **GREASED:** SHANK ONLY

MODEL 5007-2438
w/ Gravity Latch,
for Turnbuckle

MIN. B.S.: 36 M. TON IN YOKE
MATERIAL: FORGED STEEL
FINISH: HOT-DIP GALVANIZED (HDG)
WEIGHT: 0.9 Kg / 1.9 LBS

MODEL 5007-2786
w/ Gravity Latch,
for Gangway

MATERIAL: FORGED STEEL
FINISH: HOT-DIP GALVANIZED (HDG)
WEIGHT: 0.9 Kg / 2 LBS

MODEL 5007-6861
w/ Gravity Latch

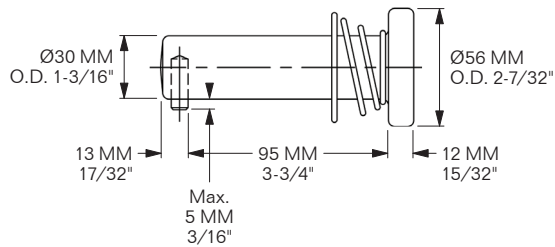
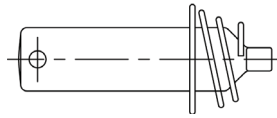
MATERIAL: FORGED STEEL
FINISH: HOT-DIP GALVANIZED (HDG)
WEIGHT: 0.5 Kg / 1.2 LBS

MODEL 5007-7385
for German Lashing
Turnbuckle TB3

MATERIAL: FORGED STEEL
FINISH: HOT-DIP GALVANIZED (HDG)
WEIGHT: 0.8 Kg / 1.7 LBS

Supplied
w/ Hex Bolt

HEX BOLT
1110-4582-SS
LENGTH: 8-1.25 x 25 MM
MATERIAL: STAINLESS STEEL



MODEL 5007-TB-50-TGN

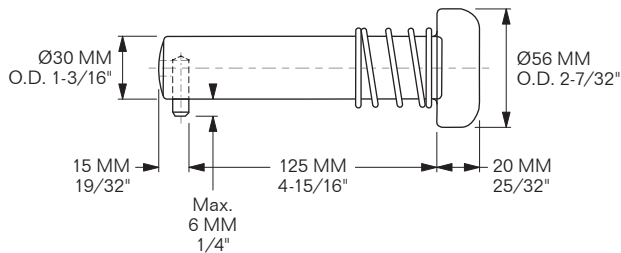
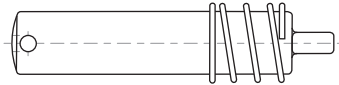
TOGGLE PIN w/ Spring & SS Stop Pin

Fits all M5, M6, M7, Elt 55,
Elt 65 & FLX 5 Turnbuckles.

Supplied w/ Stop Pin loose that is fitted
after the Toggle Pin is inserted into the Jaw.

Ask for Fitting Instructions.

SUB FOR: APM 357416
WEIGHT: 1.57 LBS / 0.71 Kg



MODEL 5007-TB-50-TGN-140

TOGGLE PIN w/ Spring & Loose SS Stop Pin,
Universal, 30mm x 140mm

Generic Type. Fits most wide-Jaw
Turnbuckles such as AMC, MacGregor/
Conver and Peck & Hale.

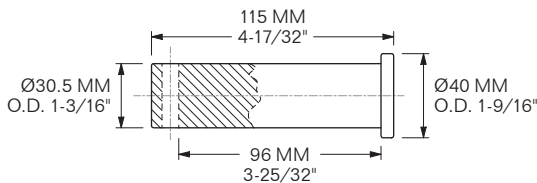
Supplied w/ Stop Pin loose that is fitted
after the Toggle Pin is inserted into the Jaw.

Ask for Fitting Instructions.

WEIGHT: 1.95 LBS / 0.89 Kg



For APM Turnbuckles & FLX5 (700 to 1195 series)



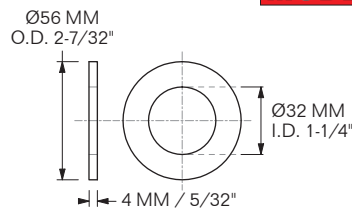
CLEVIS PIN 5007-APM-510-00/7

SUB FOR: APM 317890, 334316
& MACGREGOR 1131343
MATERIAL: FORGED STEEL
FINISH: HOT-DIP GALVANIZED
WEIGHT: 1.45 LBS / 0.66 Kg

TOGGLE / CLEVIS PIN MODEL 5007-APM-510-00/7

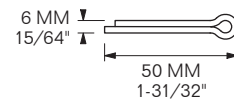
WASHER MODEL 5007-APM-510-00/10

COTTER PIN MODEL 5201-4561-SS



WASHER 5007-APM-510-00/10

SUB FOR: APM 317891, 334317
& MACGREGOR 1131344
MATERIAL: STAINLESS STEEL
FINISH: SELF-COLOR
WEIGHT: 0.09 LBS / 0.04 Kg



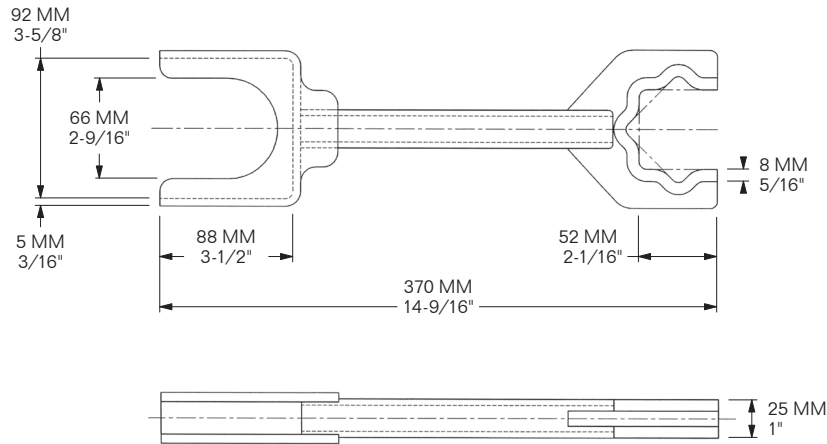
COTTER PIN 5201-4561-SS

SUB FOR: APM 317892
& MACGREGOR 1131301
MATERIAL: STAINLESS STEEL
FINISH: SELF-COLOR
WEIGHT: 0.03 LBS / 0.014 Kg



MODEL 5007-3125-12

for Maersk-type Turnbuckle



SUB FOR: APM 313376
FINISH: HOT-DIP GALVANIZED (HDG)
WEIGHT: 1.4 Kg / 3 LBS



TURNBUCKLE WRENCHES & VISE HANDLE

MODEL 5007-FLX5-W
WRENCH for FLX5 Turnbuckle

FINISH: HOT-DIP GALVANIZED (HDG)
WEIGHT: 2.42 LBS / 1.1 Kg

MODEL 5007-M5-W-250
MODEL 5007-M5-W-350
WRENCH for M5 Turnbuckle

FINISH: HOT-DIP GALVANIZED (HDG)
250 MM WEIGHT: 1.75 LBS / 0.79 Kg
350 MM WEIGHT: 2.4 LBS / 1.08 Kg

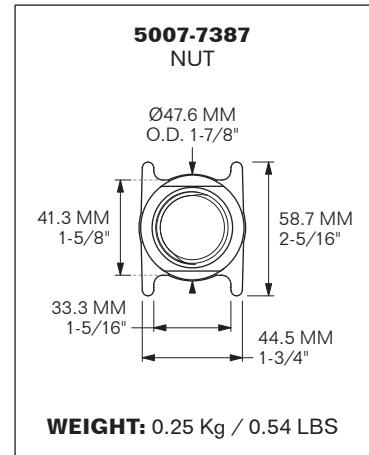
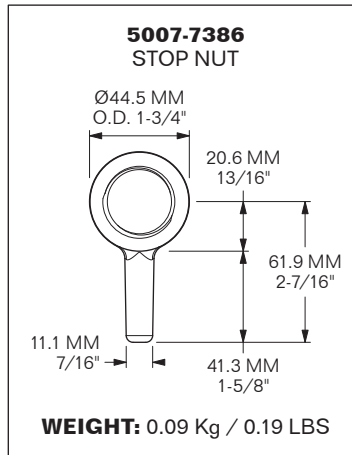
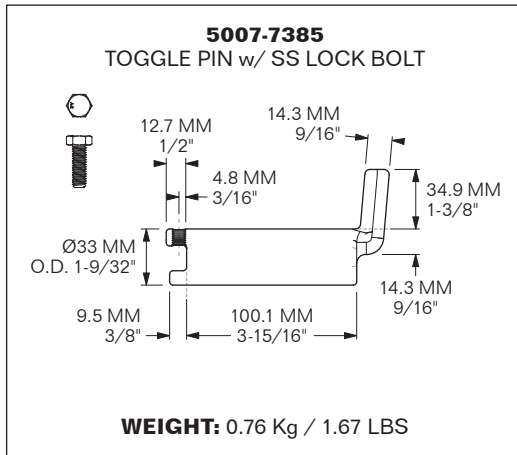
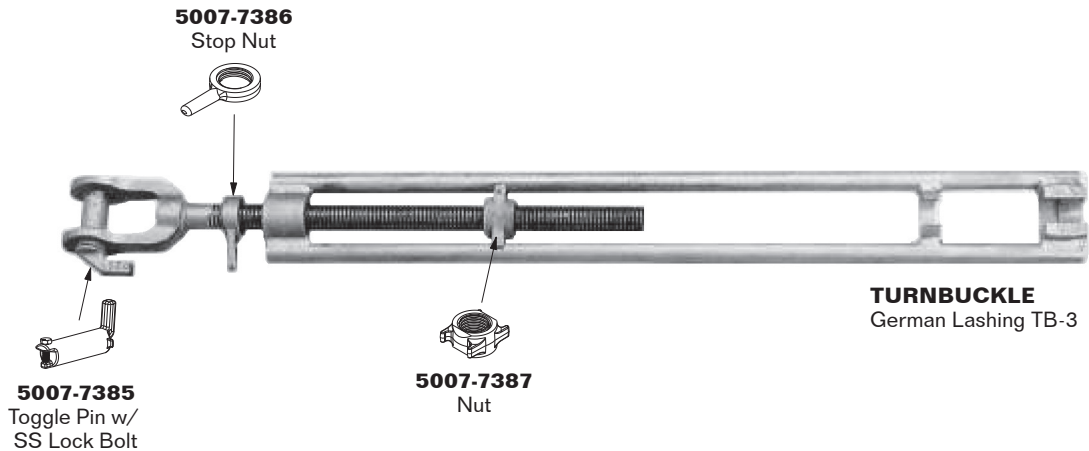
MODEL 5007-M5-B
WISE HANDLE
for M5 Turnbuckle

FINISH: HOT-DIP GALVANIZED (HDG)
WEIGHT: 1.7 LBS / 0.77 Kg

TOGGLE PIN w/ SS Lock Bolt **MODEL 5007-7385**

STOP NUT **MODEL 5007-7386**

NUT **MODEL 5007-7387**



MIN. B.L.: 50 M. TON
SAFE WORKING LOAD (SWL): 25 M. TON

MATERIAL: DROP-FORGED, HIGH-TENSILE STEEL
FINISH: HOT-DIP GALVANIZED (HDG)

