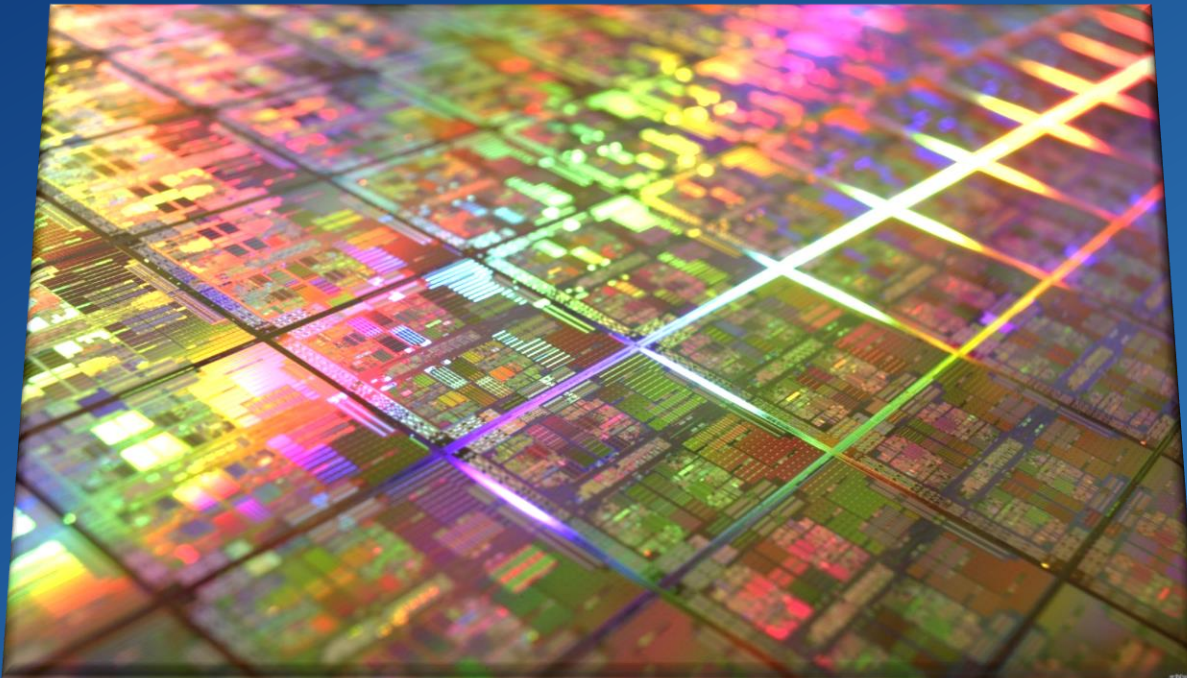


April 2015

fit-PC Industrial PCs Product Line Overview

Maxim Birger



Agenda

- Target Markets
- x86 Mobile Platforms
- High Level Overview & Products Brief:
 - IPC2
 - Intense PC
 - Fit-PC4
 - fitlet
 - fit-PC3/3i
 - fit-PC2/2i
- FACE Modules
- Accessories

Target Markets



APPLICATIONS EXAMPLES

THIN CLIENTS, APPLICATION SPECIFIC

IN-VEHICLE SYSTEMS,
AUTO INFOTAINMENT

DIGITAL SIGNAGE, SMART KIOSKS,
MEDICAL

CASINO GAMING, VIDEO LOTTERY
TERMINALS

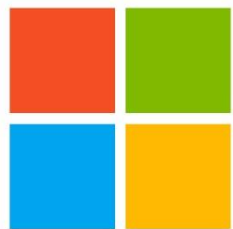
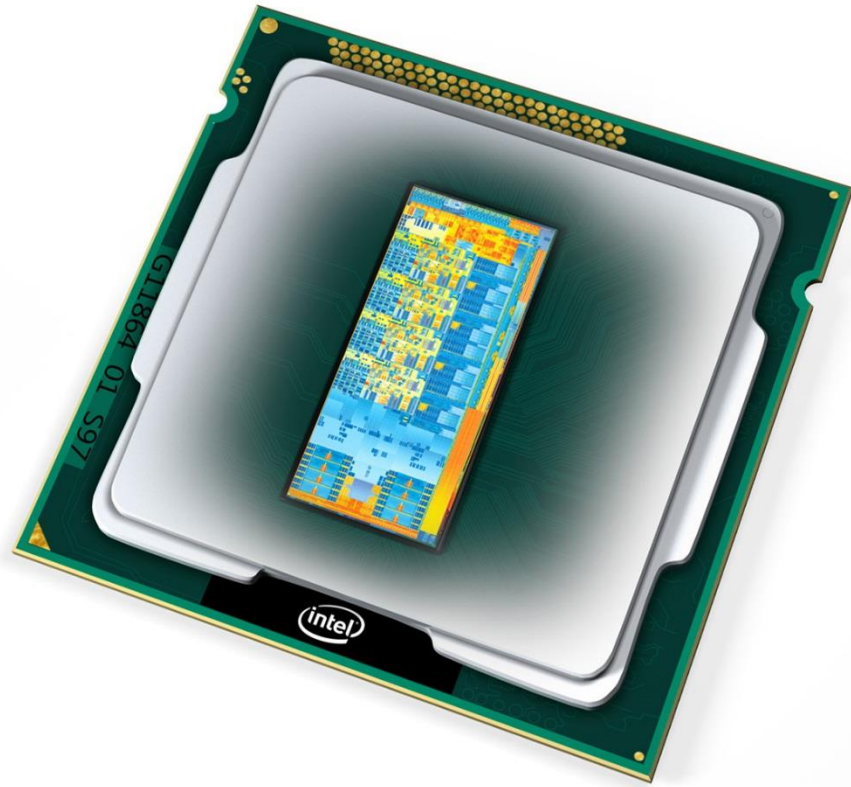
INDUSTRIAL CONTROLS & AUTOMATION

IPTV, SET-TOP BOXES

NETWORKING & COMMUNICATIONS

OFFICE & HOME USE

x86 Mobile Platforms



Microsoft



IPC2



IPC2 – Features

➤ Platform

- Intel 4th Gen Core i7/5/3/Celeron @ 15W TDP
- Dual core 64-bit @ 1.4GHz – 2.1GHz (turbo boost up to 3.3GHz)
- Up to 16GB DDR3L-1333/1600 memory
- 2.5” HDD/SSD storage

➤ Connectivity

- Display Interface x3 (DisplayPort, 2x HDMI)
- Analog/digital audio input/output
- Intel GbE LAN x2
- Intel dual band WLAN 802.3 ac + Bluetooth 4.0
- USB3.0 x4, USB2.0 x2
- RS232 serial ports x3
- SIM slot



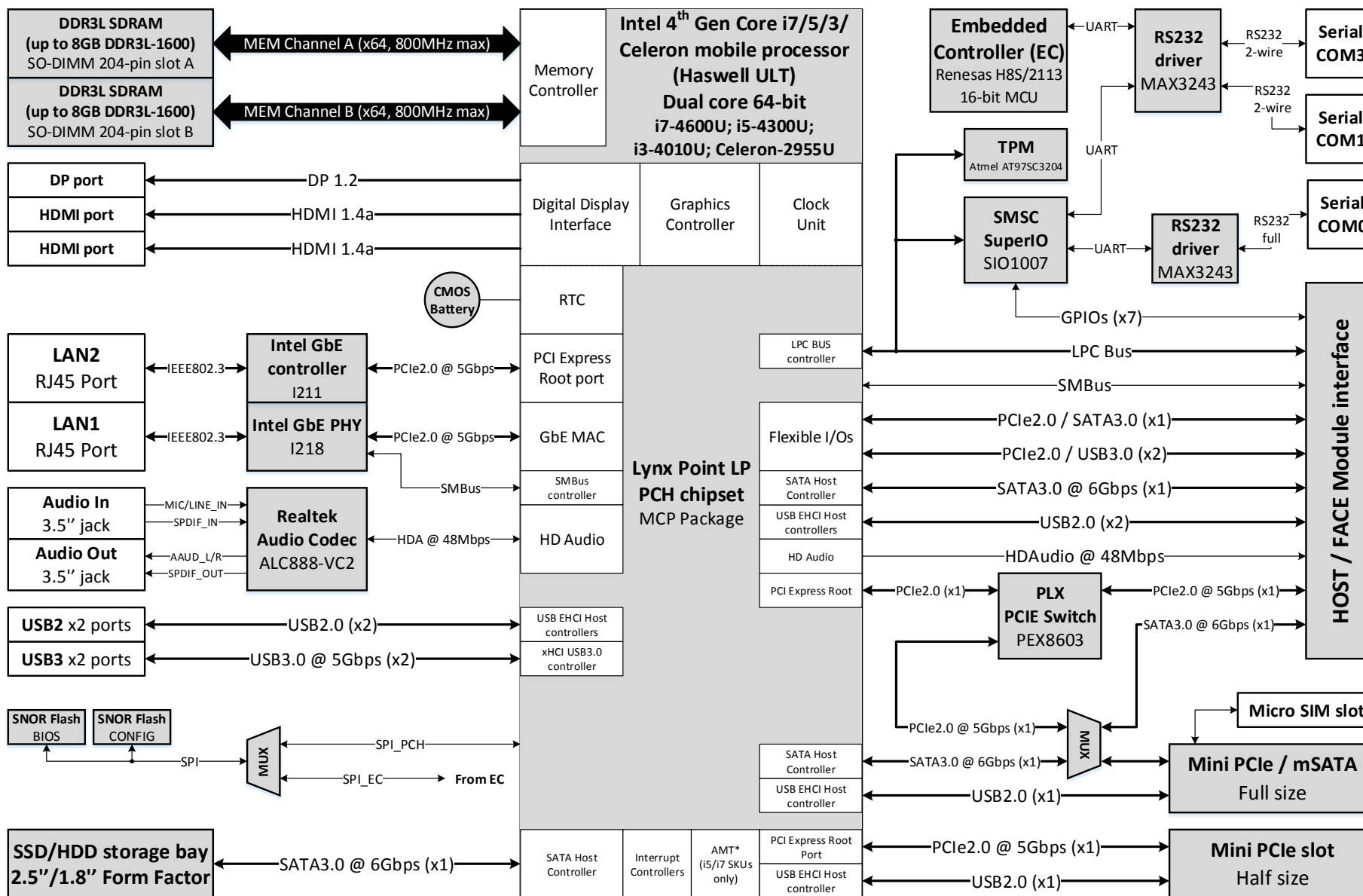
➤ Expansion

- Mini PCIe slots x2 (full/half size)
- mSATA x2 (shared Mini PCIe)
- FACE Module

➤ OS

- Windows 7/8, 32/64-bit
- Windows Server 2012 R2
- Linux 32/64-bit

IPC2 – Block Diagram



Intense PC



Intense PC – Features

➤ Platform

- Intel Gen3 Core i7/5/3/Celeron @ 17W TDP
- Dual core 64-bit @ 1.4GHz – 1.7GHz
- Up to 16GB DDR3-1600 memory
- 2.5"/1.8" HDD/SSD storage

➤ Connectivity

- Video outputs x2 (DisplayPort*, HDMI)
- Analog/digital audio input/output
- GbE LAN x2
- WLAN 802.3 b/g/n + + Bluetooth 3.0
- USB3.0 x2, USB2.0 x4
- eSATA x2
- RS232 serial port x1



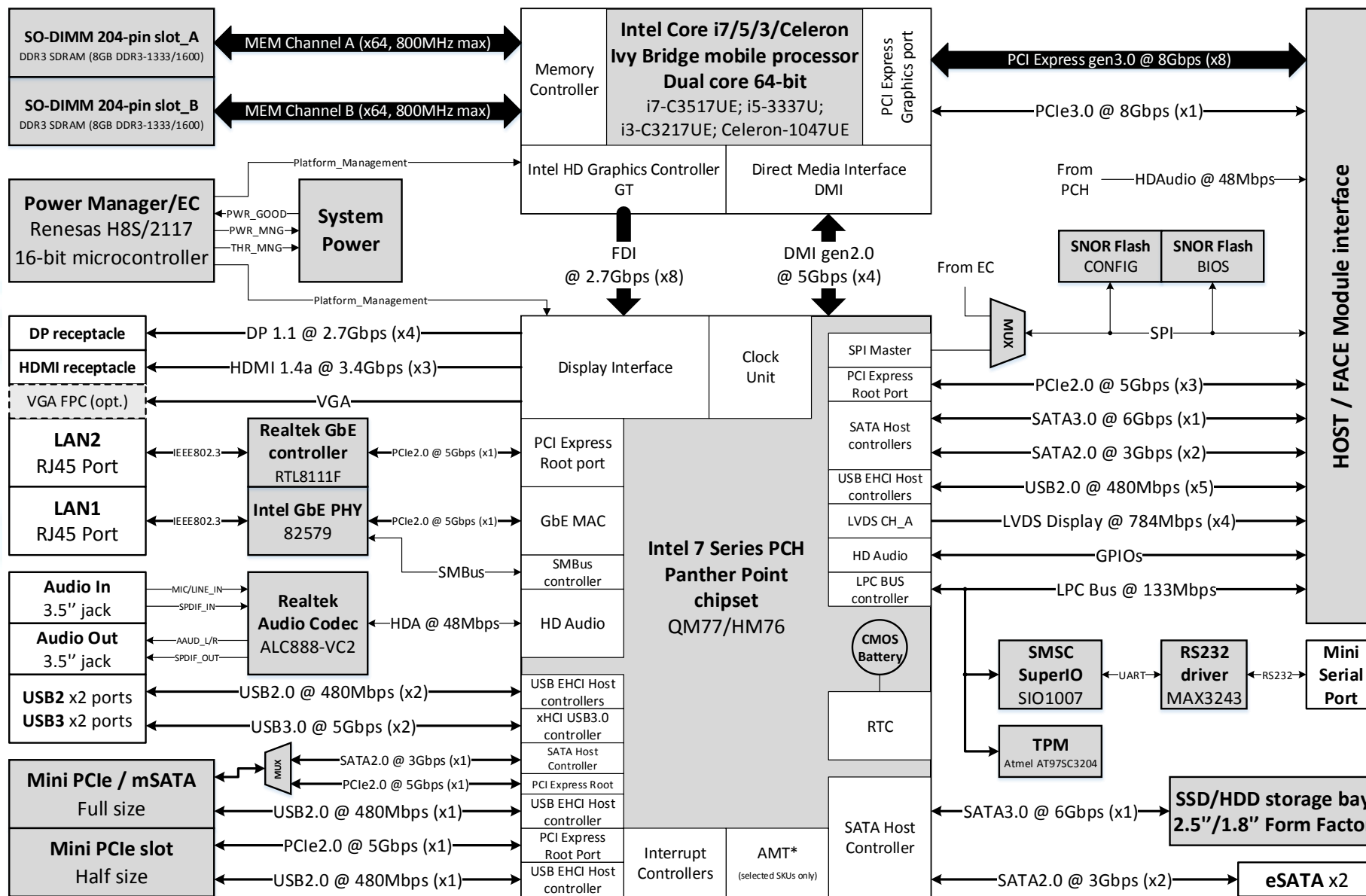
➤ Expansion

- Mini PCIe slots x2 (full/half size)
- mSATA x1 (shared Mini PCIe)
- FACE Module

➤ OS

- Windows XP/7/8, 32/64-bit
- Linux 32/64-bit
- RT Embedded

Intense PC – Block Diagram



Fit-PC4



Fit-PC4 – Features

➤ Platform

- AMD G-Series SoC @ 5W – 25W
- Quad/Dual core 64-bit @ 1.0GHz – 2.0GHz
- Up to 16GB DDR3/3L-1600 SDRAM (1.5V/1.35V)
- Up to 16GB DDR3U-1333 SDRAM (1.25V)
- 2.5” HDD/SSD storage

➤ Connectivity

- Dual HDMI display interface
- Analog/digital audio input/output
- Intel GbE LAN x2
- Intel dual band WLAN 802.3 ac + Bluetooth 4.0
- USB3.0 x2, USB2.0 x6
- Micro SD slot accept SD/SDHC/SDXC cards
- RS232 serial port x1
- Micro SIM slot



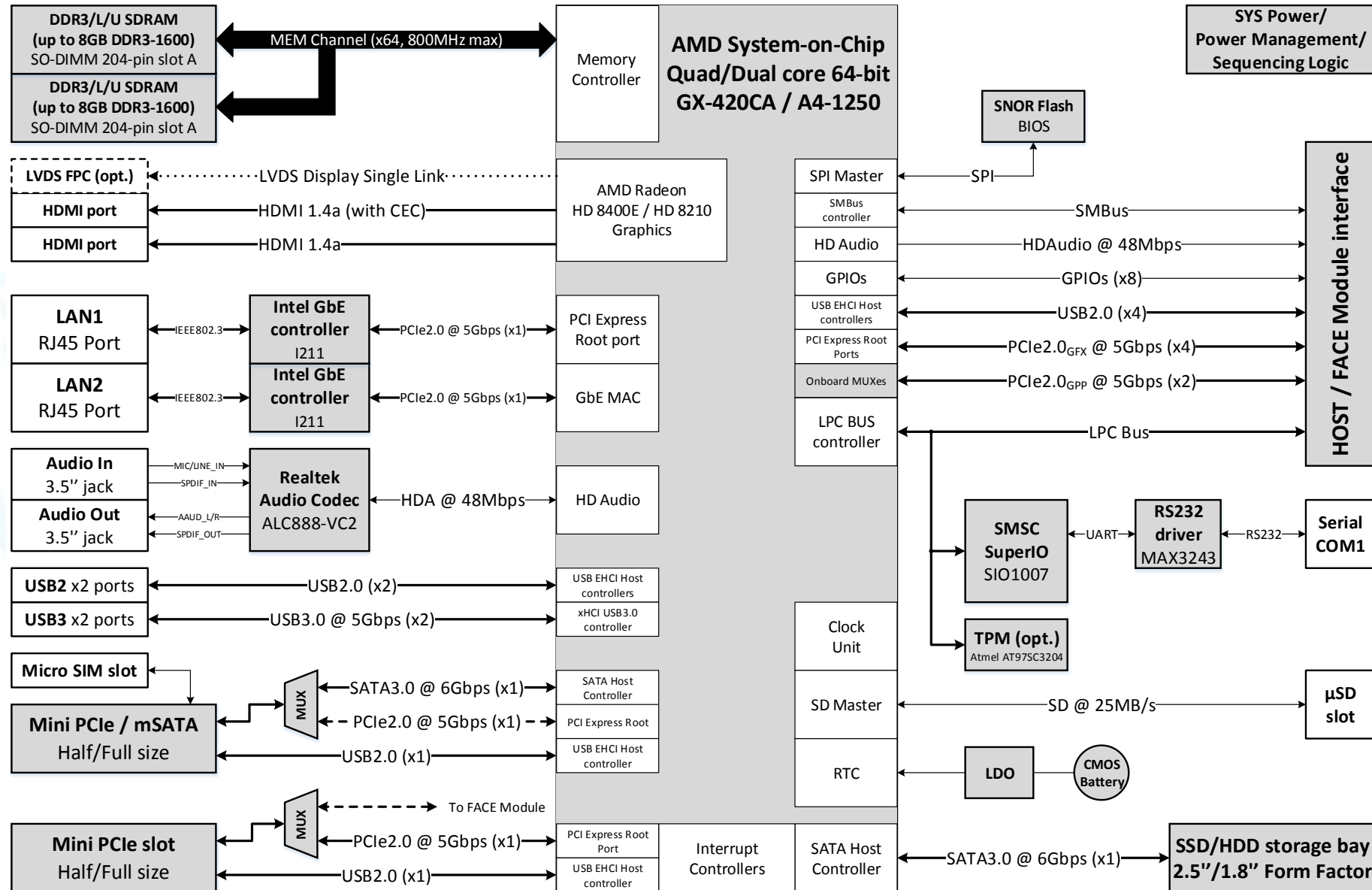
➤ Expansion

- Mini PCIe slots x2 (full/half size)
- mSATA x1 (shared Mini PCIe)
- FACE Module

➤ OS

- Windows 7, 8; 32/64-bit
- Linux 32/64-bit

Fit-PC4 – Block Diagram



fitlet-B/i/X



fitlet – Features

➤ Platform

- AMD A/E-Series SoC.
- Low power systems @ 4.5W – 10.5W
- Quad/Dual core 64-bit @ 1.0GHz – 2.2GHz
- Up to 8GB DDR3L-1333 SDRAM (1.35V)
- mSATA SSD storage

➤ Connectivity

- Dual HDMI display interface
- Analog/digital audio input/output
- Intel GbE LAN x1
- Intel dual band WLAN 802.3 ac + Bluetooth 4.0
- USB3.0 x2, USB2.0 x3/x4
- Micro SD slot accept SD/SDHC/SDXC cards
- RS232 serial port x1
- Micro SIM slot



➤ fitlet-i expansion

- eSATAp/USB2 combo
- LAN2 (2nd Intel GbE)

➤ fitlet-X expansion

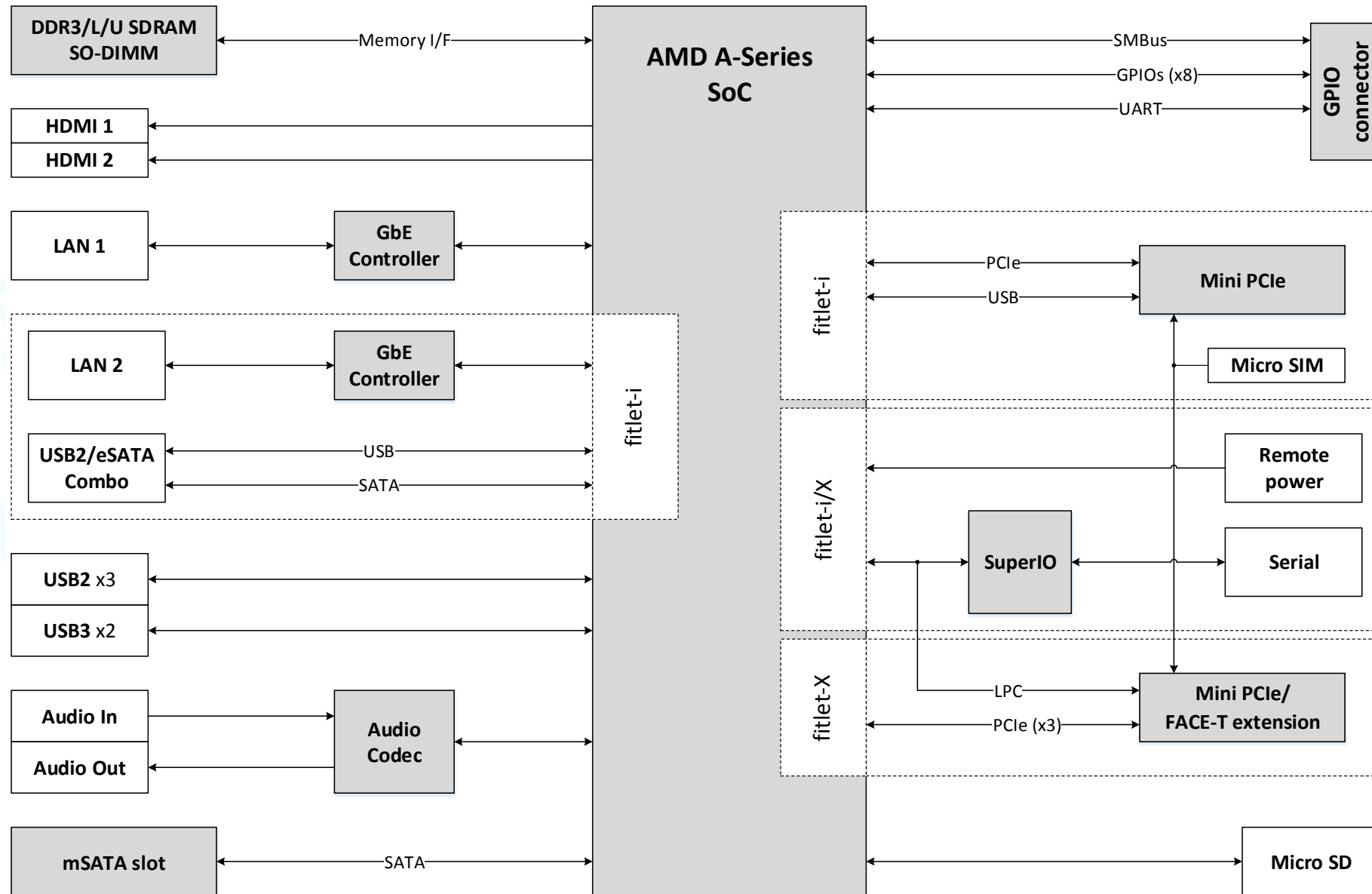
- Extended PCIe interface
- FACET Card

➤ OS

- Windows 7/8/10
- Linux

* fitlet-B models supplied with simple WLAN 802.11b/g/n Wifi module

fitlet – Block Diagram (simplified)



fit-PC3 & fit-PC3i



fit-PC3/3i – Features

➤ Platform

- AMD Fusion G-T40E/G-T56N @ 6.4W/18W TDP
- Dual core 64-bit @ 1GHz/1.65GHz
- Up to 16GB DDR3-1066 memory
- 2.5"/1.8" HDD/SSD storage

➤ Connectivity

- Video outputs x2 (DisplayPort*, HDMI)
- Analog/digital audio input/output
- GbE LAN x2 (x1 in fit-PC3)
- WLAN 802.3 b/g/n + Bluetooth 3.0
- USB3.0 x2 (fit-PC3 only), USB2.0 x6 (x4 in fit-PC3)
- eSATA x2
- RS232 serial port x1 (fit-PC3 only)



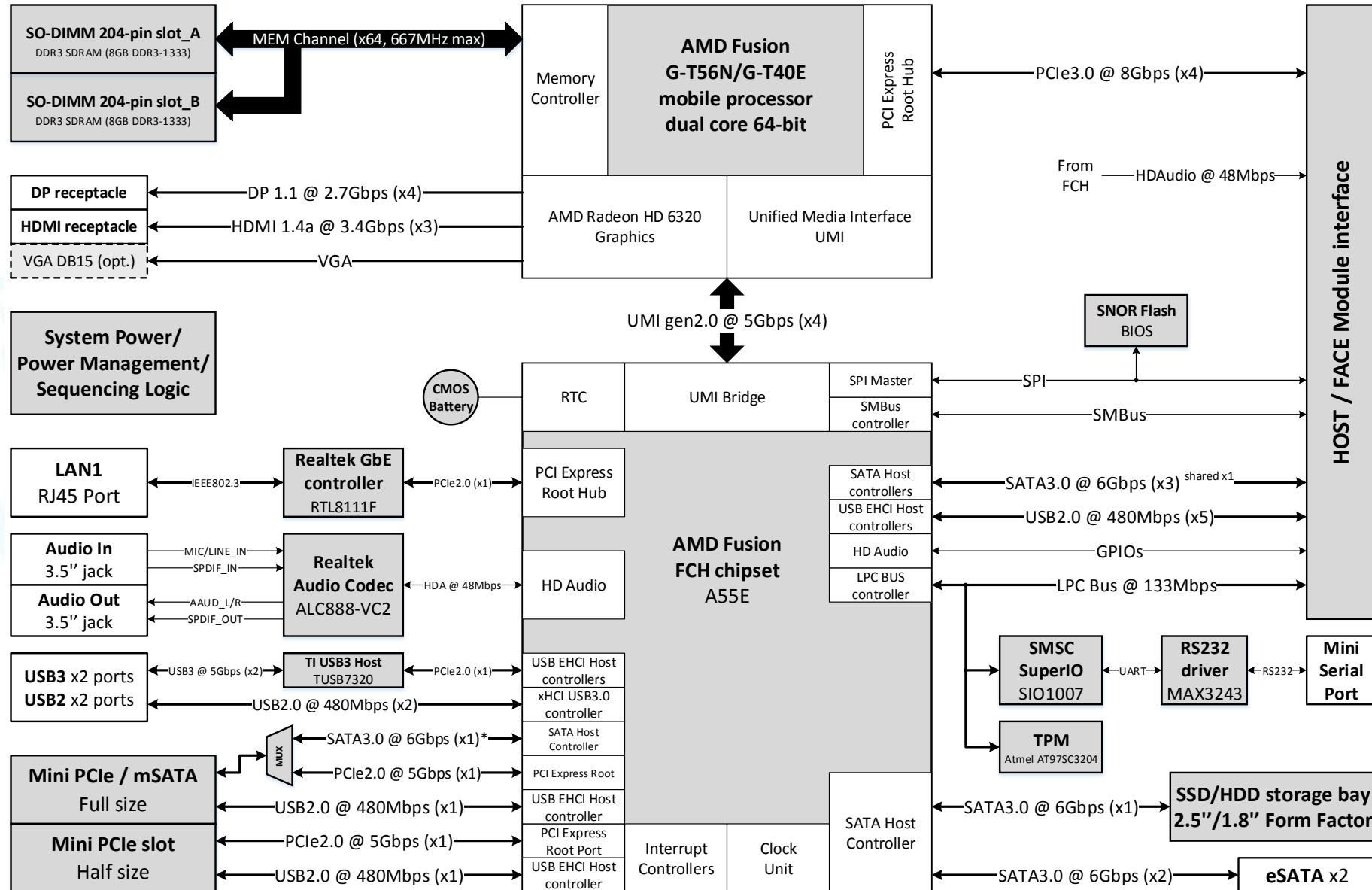
➤ Expansion

- Micro SIM slot x1 (fit-PC3i only)
- Mini PCIe slots x2 (full/half size)
- mSATA x1 (shared Mini PCIe)
- FACE Module

➤ OS

- Windows XP/7/8, 32/64-bit
- Linux 32/64-bit
- RT Embedded

fit-PC3 – Block Diagram



fit-PC2 & fit-PC2i



fit-PC2i – Features

➤ Platform

- Intel Atom Z510/Z530 @ 2W TDP
- Single core 32-bit @ 1.1GHz/1.6GHz
- 1GB/2GB DDR2-533 memory
- 2.5” HDD storage

➤ Connectivity

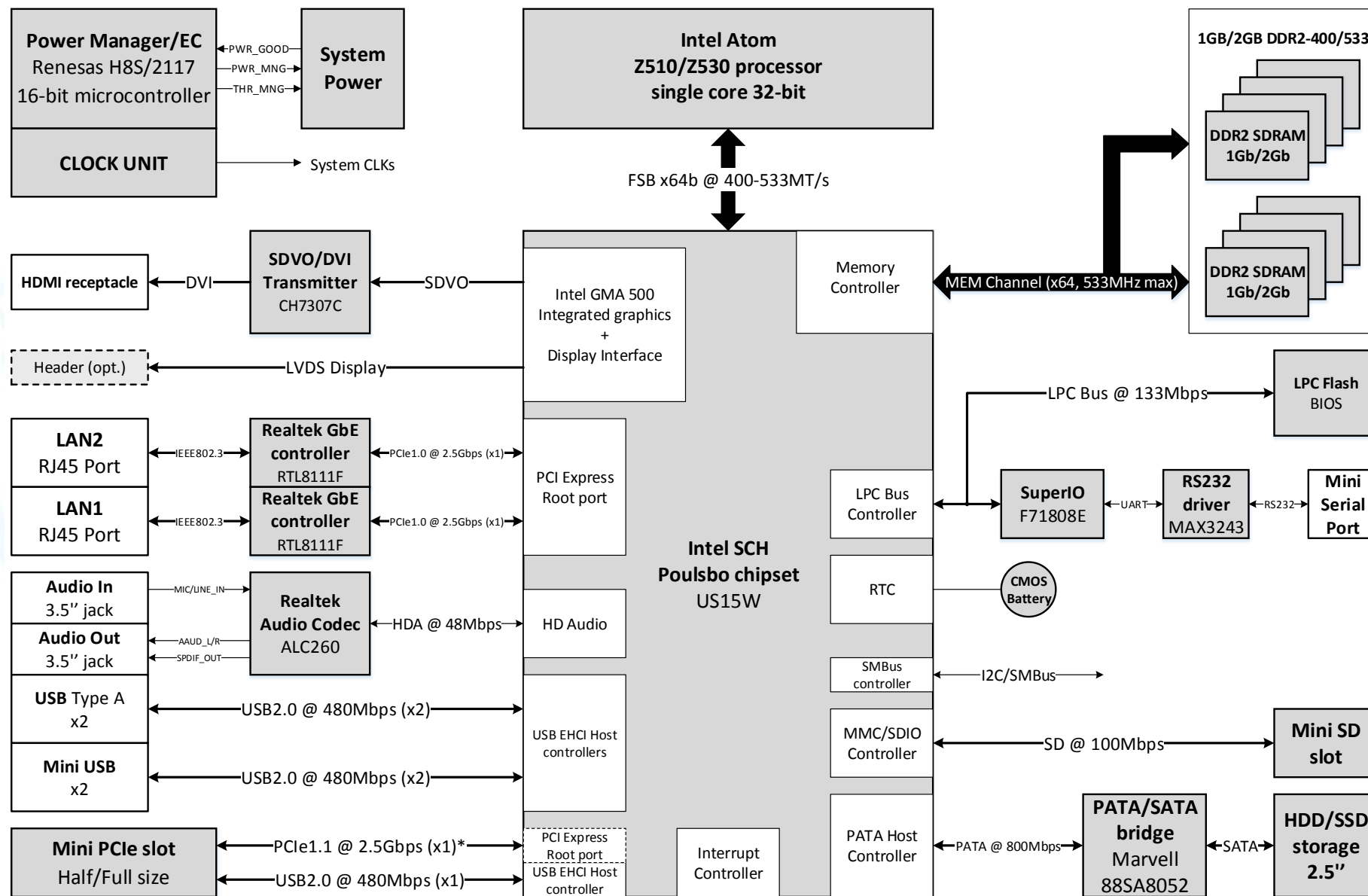
- DVI video output x1
- Analog/digital audio input/output
- GbE LAN x2 (x1 in fit-PC2)
- WLAN 802.3 b/g/n, 2.4GHz
- USB2.0 x4 (x6 in fit-PC2)
- RS232 serial port x1 (fit-PC2i only)
- Mini SD card slot x1



➤ OS

- Windows XP/7 32-bit
- Linux 32-bit
- RT Embedded

fit-PC2i – Block Diagram

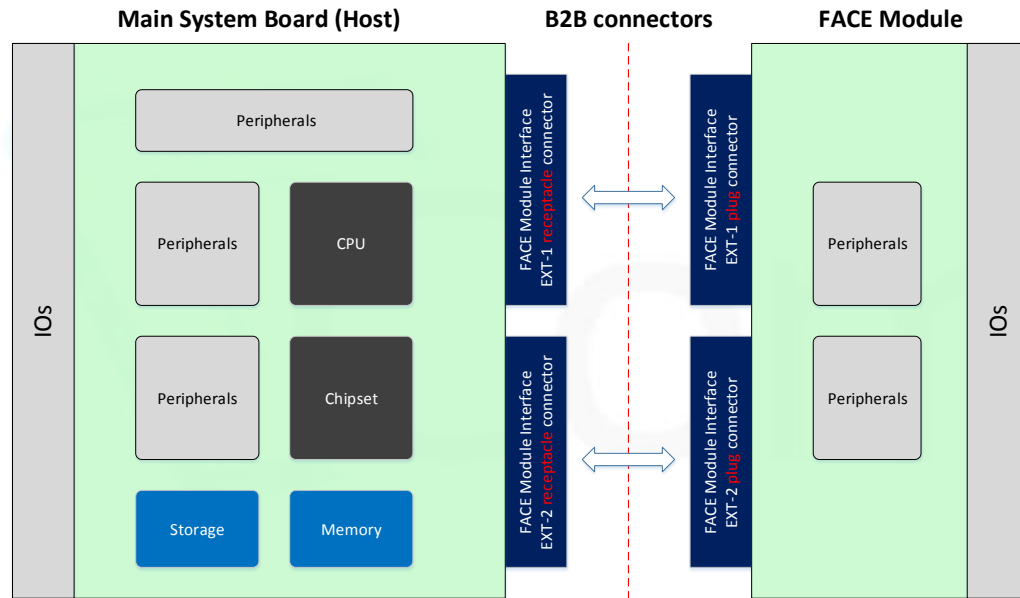


FACE Modules FACET Cards

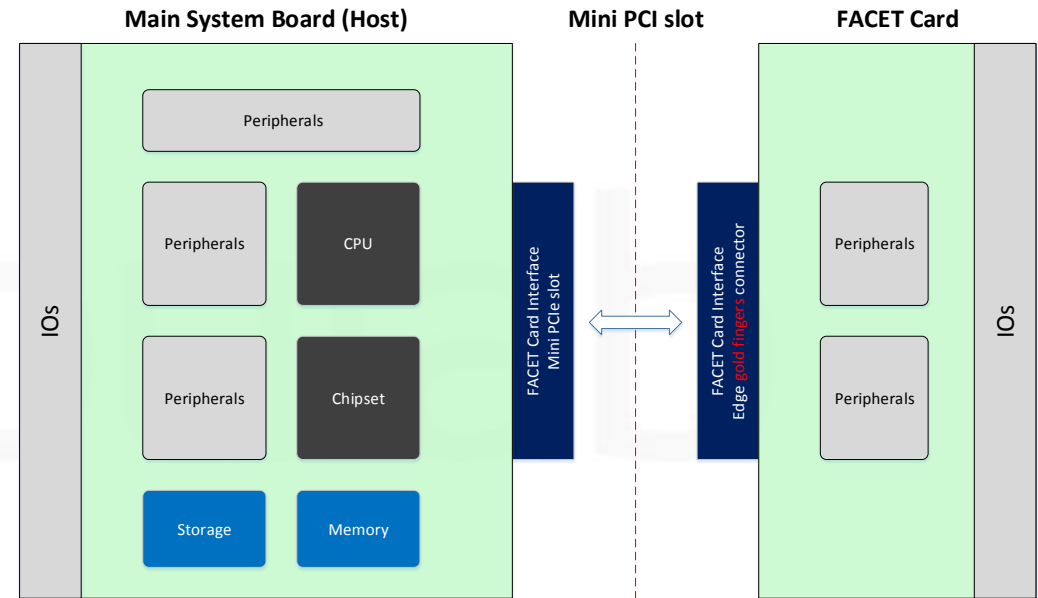


FACE Module / FACET Card – Concept

FACE Module



FACET Card (fitlet-X)



FACE Modules – Highlights

- **Function And Connectivity Extension Module** provides extended peripheral and I/O functionality
- Flexible Host interface design
- High speed connectivity offers PCI Express, SATA and USB Host interfaces
- Industry standard LPC Bus, RS232, SMBus/I2C and GPIOs
- Surveillance, CCTV and video capture solutions
- Off-the-shelf popular Networking solutions
- Application specific 3rd party design



FACE Modules



FACET Card

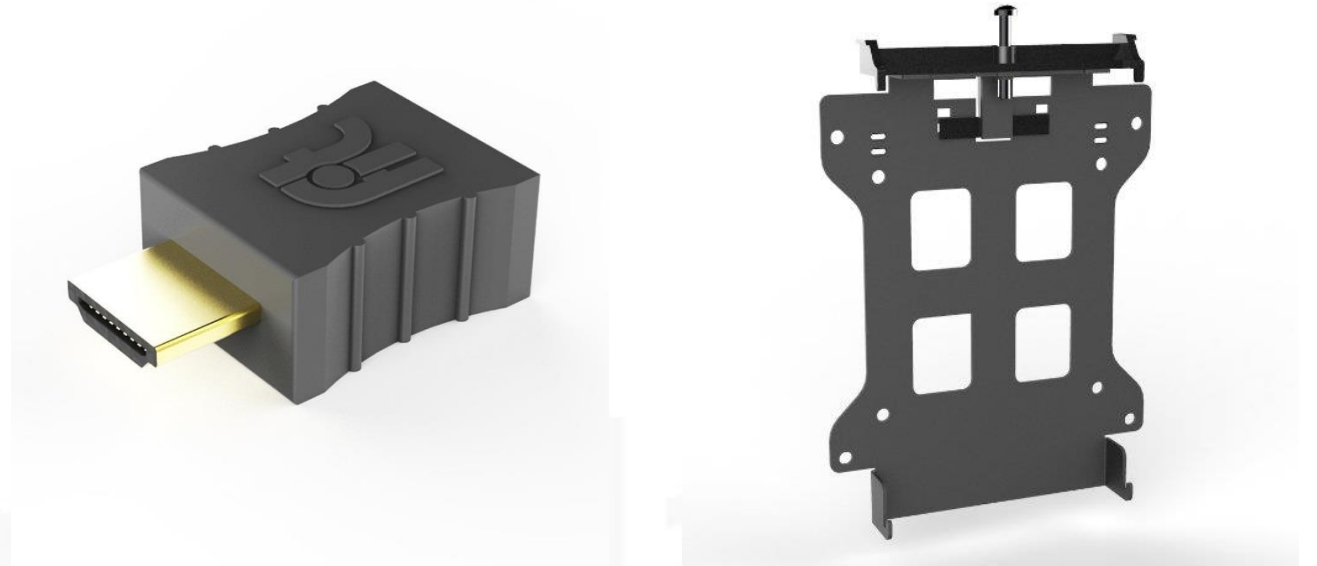


Accessories



Accessories

- fit-Headless
- fit-Headless 4K
- VESA mounting bracket
- DIN rail mount bracket
- Power supplies and Cables
- And more...



Reference Material

- For CompuLab website please visit:
www.compulab.co.il
- For fit-PC product line website please visit:
www.fit-pc.com
- Wiki – download resource:
http://www.fit-pc.com/wiki/index.php/Main_Page

Thank you
